

**COUNTY OF SAN MATEO  
PLANNING AND BUILDING DEPARTMENT**

**DATE:** May 25, 2022

**TO:** Planning Commission

**FROM:** Planning Staff

**SUBJECT:** EXECUTIVE SUMMARY: Consideration of a Use Permit and Resource Management Permit, and an Architectural Review Permit, to legalize an existing wireless telecommunication facility located at Vista Point II along Interstate 280, west of North Crestview Park, in the unincorporated North Skyline area of San Mateo County. The project is located within the I-280 Junipero Serra State Scenic Corridor.

County File Number: PLN 2021-00242 (Davis)

**PROPOSAL**

The applicant proposes to legalize an existing AT&T wireless telecommunication facility that was built prior to 2001 without Planning Permits. The communications facility is located in the Caltrans right-of-way off a paved access road accessed via Interstate 280. The access road terminates to a circular road, west of North Crestview Park in San Carlos (APN 049-041-050), where the telecommunication facility is located. The facility consists of a 318 square foot equipment shelter. The shelter houses four (4) "H" frame structures that are attached to three exterior sides of the shelter to support 9 panel antennas. The maximum height of the antennas is 17 feet above grade. A number of equipment cabinets and supporting equipment is housed within the shelter. A six-foot

chain link fence with green slats surrounds the shelter. AT&T has received permission from the California Department of Transportation (Caltrans) to locate the telecommunication facility in their right-of-way. No grading or tree removal is proposed.

## **RECOMMENDATION**

That the Planning Commission approve the Use Permit, Resource Management (RM) Permit, and Architectural Review Permit, County File Number PLN 2021-00242, by adopting the required findings and conditions of approval listed in Attachment A.

## **SUMMARY**

The proposed project has been evaluated and found to comply with applicable General Plan policies with regards to visual quality and architectural standards for rural scenic corridors.

Staff has reviewed the proposal against the required findings for compliance with the Wireless Telecommunications Ordinance. The project will mitigate visual impacts, and the facility is not located in a residential zone, maintains FCC licenses, and meets Radio Frequency (RF) emissions standards.

The project complies with all RM district development standards and architectural review standards. The project will use existing roads maintained by the California Department of Transportation. The height of the facility will not exceed 17 feet, will maintain appropriate non-reflective colors in fencing and equipment. The applicant is required to maintain the color and screening materials. There is natural vegetation that further screens the facility from, and decreases visual intrusion within, the scenic corridor.

## **ENVIRONMENTAL EVALUTATION**

This project is categorically exempt pursuant to Section 15303, Class 3, of the California Environmental Quality Act (CEQA) related to the construction of a new, small structure and the installation of small new equipment and a facility in a small structure. While the project is located in the Junipero Serra State Scenic Corridor, staff has determined that its existing location does not generate any impacts on environmental resources of hazardous or critical concern, including impacts to visual resources.

**COUNTY OF SAN MATEO**  
**PLANNING AND BUILDING DEPARTMENT**

**DATE:** May 25, 2022

**TO:** Planning Commission

**FROM:** Planning Staff

**SUBJECT:** Consideration of a Use Permit and Resource Management Permit, pursuant to Sections 6500, 6512.1, and 6313 of the San Mateo County Zoning Regulations, respectively, and an Architectural Review Permit, pursuant to Section 261 of the California Streets and Highways Code, to legalize an existing wireless telecommunication facility located at Vista Point II along Interstate 280, west of North Crestview Park, in the unincorporated North Skyline area of San Mateo County. The project is located within the I-280 Junipero Serra State Scenic Corridor.

County File Number:            PLN 2021-00242 (Davis)

**PROPOSAL**

The applicant proposes to legalize an existing AT&T wireless telecommunication facility that was built prior to 2001 without Planning Permits. The communications facility is located in the Caltrans right-of-way off a paved access road accessed via Interstate 280. The access road terminates to a circular road, west of North Crestview Park in San Carlos (APN 049-041-050), where the telecommunication facility is located. The facility consists of a 318 square foot equipment shelter. The shelter houses four (4) "H" frame structures that are attached to three exterior sides of the shelter to support 9 panel antennas. The maximum height of the antennas is 17 feet above grade. A number of

equipment cabinets and supporting equipment is housed within the shelter. A six-foot chain link fence with green slats surrounds the shelter. AT&T has received permission from the California Department of Transportation (Caltrans) to locate the telecommunication facility in their right-of-way. No grading or tree removal is proposed.

## **RECOMMENDATION**

That the Planning Commission approve the Use Permit, Resource Management (RM) Permit, and Architectural Review Permit, County File Number PLN 2021-00242, by adopting the required findings and conditions of approval listed in Attachment A.

## **BACKGROUND**

Report Prepared By: Kanoa Kelley, Planner II, Email: [kkelley@smcgov.org](mailto:kkelley@smcgov.org)

Applicant: Greg Davis, agent for AT&T

Land Owner: California Department of Transportation

Location: Vista Point II, along Interstate 280 and west of North Crestview Park, North Skyline area

APN: Caltrans right-of-way, adjacent to APN#093-090-140

Parcel Size: Not Applicable; Caltrans right-of-way

Existing Zoning: RM (Resource Management)

General Plan Designation: Open Space

Williamson Act: This parcel is not under a Williamson Act Contract.

Existing Land Use: Caltrans Vista Point, right-of-way

Flood Zone: FEMA Flood Zone D, undetermined flood hazard; FEMA Panel 06081C0285E; effective October 16, 2012.

Environmental Evaluation: The project is categorically exempt under the provisions of Class 3, Section 15303, of the California Environmental Quality Act (CEQA) Guidelines for the construction of new small facilities or structures. While the project is located in the Junipero Serra State Scenic Corridor, staff has determined that its existing location does not generate any impacts on environmental resources of hazardous or critical concern, including impacts to visual resources.

Setting: The site of the telecommunication facility is along a Caltrans maintained access road that is accessed via Interstate 280. The site is not developed (except for telecommunications facilities) and contains minimal trees and natural vegetation.

## **DISCUSSION**

### A. KEY ISSUES

#### 1. Conformance with the County General Plan

Upon review of the applicable provisions of the General Plan, staff has determined that the project complies with all applicable General Plan Policies, including the following:

#### Visual Quality

Policy 4.22 (*Scenic Corridors*) calls for the protection and enhancement of the visual quality of scenic corridors by managing the location and

appearance of structural development. The subject property is located within the Junipero Serra State Scenic Corridor. As demonstrated by the photos and simulations of the existing telecom facility (Attachment D), the facility is buffered from public views along I-280 by existing mature vegetation and site topography. Additionally, the maximum height of the structures does not exceed 17 feet and will not extend above the height of the tree canopies. Given that the location is along the eastern edge of the scenic corridor and there is a natural visual buffer of existing vegetation, the facility is minimally visible from I-280.

*Architectural Design Standards for Rural Scenic Corridors*

Policy 4.48 (*Topography and Vegetation*), Policy 4.51 (*Stack, Vents, and Antennae*), Policy 4.52 (*Colors and Materials*), and Policy 4.53 (*Height*) seek to group antennae and place them in the least viewable location, limit the height of the structures and use colors that blend into the natural topography and vegetation. The AT&T facility is clustered together with another cabinet that houses Sprint, T Mobile, and Verizon antennae. The colors of the fencing and equipment will be a matte green color to blend into the natural environment. And the height of the structure which will not exceed 17 feet will ensure the antennae and other equipment is inconspicuous and will remain shielded from public view by existing trees and vegetation.

2. Conformance with Zoning Regulations

The proposed project site is within the California Department of Transportation right-of-way and is in the Resource Management Zoning District. The project complies with the RM District standards as follows.

The RM Zoning District has a maximum height allowed of 36 feet throughout the district. The telecommunication facility will not exceed 17 feet and will therefore comply with the RM district height requirement.

*Resource Management Development Review Criteria:*

Staff has determined that the project complies with all applicable Development Review Criteria of Chapter 20A, including the following:

Section 6324.1 (*Environmental Review Criteria*) seeks to cluster development, minimize grading, and prohibit the generation of long-term noise levels. The equipment enclosure will be located at the end of a Caltrans access road that terminates at the cellular enclosure and will be clustered around existing cellular facilities. No tree removal and minimal ground disturbance is required, as the facilities are already built. The noise from the replacement of the antennae will be temporary.

Section 6324.2 (*Site Design Criteria*) seeks to ensure that development is sited and designed to be subordinate to the existing natural characteristics of the site, avoids substantially detracting from the scenic and visual quality of the County, and employs colors and materials that blend with the surrounding natural environment. The project area is at the outermost extent of the scenic corridor. As previously mentioned, the project will incorporate matte green colors, will not exceed 17 feet in height, and is further shielded by existing mature trees to avoid detracting from the visual quality of the area.

Section 6324.3 (*Utilities*) seeks to minimize the bulk, height and appearance of utility structures. The project has all utility lines installed underground from an existing on-site utility pole in the project area.

Section 6325.1 (*Primary Scenic Resources Areas Criteria*) seeks to prohibit development to significantly obscure, detract from, or negatively affect the quality of public views within and from scenic corridors, require



pathway pavements to blend in with the surrounding landscape, and utilize colors and materials that blend in with the natural surrounding environment. As previously mentioned, the project utilizes existing infrastructure maintained by Caltrans and the project will incorporate matte green colors and will not exceed 17 feet in height. Additionally, the telecommunications facility will be shielded by existing mature trees to avoid detracting from the visual quality of the area.

3. Compliance with the Wireless Telecommunication Facilities Ordinance

Staff has reviewed the project against the provisions of the Wireless Telecommunication Facilities (WTF) Ordinance and determined that the project complies with the applicable standards discussed below:

a. Development and Design Standards

**Section 6512.2.A states that new wireless telecommunication facilities shall be prohibited in a Sensitive Habitat, as defined by Policy 1.8 of the General Plan (Definition of Sensitive Habitats) for facilities proposed outside of the Coastal Zone.**

The project site is not located in a sensitive habitat area, as defined by Policy 1.8 of the General Plan.

**Section 6512.2.B prohibits new wireless telecommunication facilities from being located in areas zoned Residential (R), unless the applicant demonstrates that a review has been conducted of other options and no other sites or combination of sites allow feasible service or adequate capacity and coverage.**

The proposed facility is located within the Caltrans right-of-way in the

RM Zoning District. While the RM Zoning District allows residential uses, it is not explicitly defined as a Residential (R) District.

**Section 6512.2.C prohibits new wireless telecommunication facilities to be located in areas where co-location on existing facilities would provide equivalent coverage with less environmental impacts.**

The applicant was unable to identify any existing wireless facilities within the immediate vicinity that would either allow co-location or provide coverage to the target area.

**Section 6512.2.D requires new wireless telecommunication facilities to be constructed so as to accommodate co-location, and must be made available for co-location.**

Future co-locations are technically feasible as long as the proposed facilities comply with California Public Utilities Commission General Order 95 (GO95) engineering requirements.

**Sections 6512.2.E and F seek to minimize and mitigate visual impacts from public views by siting new facilities outside of the public view, using natural vegetation for screening, painting equipment to blend with existing landscaping, and designing the facility to blend in with the surrounding environment.**

The facility is buffered from the public views from I-280 by existing mature vegetation and site topography. The maximum height of the structures does not exceed 17 feet and does not extend above the height of the tree canopies. Given that the location is at the eastern edge of the scenic corridor and there is a natural visual buffer of the

existing vegetation, the facility is minimally visible from Interstate 280. Additionally, the equipment shelter and antennae are painted a non-reflective matte green color to allow the facility to remain inconspicuous.

**Section 6512.2.G requires that the exterior of wireless telecommunication facilities be constructed of non-reflective materials.**

As discussed in the section above, the equipment shelter and antennae are painted a non-reflective matte green color to allow the facility to remain inconspicuous.

**Section 6512.2.H. states that the wireless telecommunication facility shall comply with all the requirements of the underlying zoning district(s), including, but not limited to, setbacks, Design Review in the DR district(s), Architectural Review in designated Scenic Corridors, and Coastal Development Permit regulations in the CZ or CD zones.**

The project complies with all RM district standards and Architectural Review in Scenic Corridors. The facility will not exceed 17 feet in height, the fencing and equipment will be painted a non-reflective green color to blend into the environment, and the facility is shielded from public view by mature trees. The project is not located in a coastal zone.

**Section 6512.2.I. states that ground mounted towers, spires, and similar structures may be built and used to a greater height than the limit established for the zoning district in which the structure is located; provided that no such exception shall cover, at any level, more than 15% in the area of the lot nor have an area at the base greater than 1,600 sq. ft.; provided, further, that no tower,**

**spire, or similar structure in any district shall ever exceed a maximum height of 150 feet.**

This section provides further limits on the application of this provision in the PAD, RM, RM-CZ, TPZ, and TPZ-CZ districts and in forested areas, that no structure or appurtenance shall exceed the height of the forest canopy by more than 10%, or five feet, whichever is less.

The telecommunications facility is not located in a forested area and does not exceed 17 feet in height and therefore complies with this requirement.

b. Performance Standards

The proposed project meets the required standards of Section 6512.3 (Performance Standards for New Wireless Telecommunication Facilities That Are Not Co-Location Facilities) for lighting, licensing, provision of a permanent power source, timely removal of the facility, and visual resource protection. There is no lighting proposed, the facility maintains proper licenses from both the Federal Communications Commission (FCC) and the California Public Utilities Commission (CPUC), power for the facility is provided by PG&E, the visual impact is minimal, and the recommended conditions of approval will require maintenance and/or removal of the facility when it is no longer in operation. Furthermore, road access to the proposed project site is existing and no noise in excess of San Mateo County's Noise Ordinance will be produced. Conditions of Approval Nos. 8-19 were added to ensure compliance with the performance standards of this section (see Attachment A).

4. Use Permit Findings

Pursuant to Section 6512.1 of the Zoning Regulations, a Use Permit is required for new telecommunications facilities that are not co-location facilities. In order to grant approval of a Use Permit as required by Section 6503, the following findings must be made:

- 1. That the establishment, maintenance and/or conducting of the use will not, under the circumstances of the particular case, result in a significant adverse impact to coastal resources, or be detrimental to the public welfare or injurious to property or improvements in said neighborhood.**

The project site is located in a non-coastal area and is surrounded by vacant land and recreation areas. Cellular communication facilities are required to submit a radio frequency (RF) report to ensure that the RF emissions from the antenna do not exceed the Federal Communications Commission's public exposure limits. The applicant submitted a radio frequency report prepared by Waterford Consultants, dated February 18, 2021, confirming that the proposed facility will comply with the prevailing standards for limiting public exposure to radio frequency energy and, thus, will not cause a significant impact on the environment (Attachment E- RF Report).

Due to the location of the mounted antennas, they will not be accessible to the general public and therefore no mitigation measures are necessary to comply with the FCC public exposure guidelines. To ensure compliance with occupational exposure limitations, staff has included a Condition of Approval, recommended by Waterford Consultants, for the posting of explanatory warning signs at each end of the sector at the base of the pole mounts, readily visible from any angle of approach to persons who may need to work within the

area (see Attachment A). The facility will otherwise remain unmanned, operate at all times, and be serviced periodically by an AT&T technician. The facility will not generate significant traffic or noise.

The project therefore as proposed will not have a negative environmental, health, or visual impact on persons or property within the project vicinity.

**2. That this telecommunication facility is necessary for the public health, safety, convenience, or welfare of the community.**

Staff has determined that a cellular facility at this location allows for increased clarity, range, and capacity of the existing cellular network and enhances services for the public. Legalizing the facility is the least intrusive option available to maintain AT&T's network capacity and service coverage in this area.

5. Architectural Review

The project site is located within the Junipero Serra State Scenic Corridor, thus, this project requires architectural review and consideration by the Planning Commission. Conformance with the applicable General Plan Visual Quality Policies govern the architectural review portion of this project. See Section A.1 of the staff report for further discussion of the project's compliance with the General Plan Visual Quality Policies and thus the State Scenic Corridor provisions for the Junipero Serra State Scenic Corridor.

B. ENVIRONMENTAL REVIEW

This project is categorically exempt pursuant to Section 15303, Class 3, of the

California Environmental Quality Act (CEQA) Guidelines related to the construction of a new, small structure and the installation of small new equipment and a facility in a small

structure. While the project is located in the Junipero Serra State Scenic Corridor, staff has determined that its existing location does not generate any impacts on environmental resources of hazardous or critical concern, including impacts to visual resources.

C. REVIEWING AGENCIES

Building Inspection Section

Department of Public Works

Drainage Section

Geotechnical Section

San Mateo County Fire Department

California Department of Transportation

**ATTACHMENTS**

- A. Recommended Findings and Conditions of Approval
- B. Location Map
- C. Project Plans
- D. Photo Simulations
- E. RF Report

County of San Mateo  
Planning and Building Department

**RECOMMENDED FINDINGS AND CONDITIONS OF APPROVAL**

Permit or Project File Number: PLN 2021-00242

Hearing Date: May 25, 2022

Prepared By: Kanoa Kelley,  
Project Planner

For Adoption By: Planning Commission

**RECOMMENDED FINDINGS**

For the Environmental Review, Find:

1. The project is categorically exempt under the provisions of Class 3, Section 15303, of the California Environmental Quality Act (CEQA) Guidelines for the construction of new small facilities or structures. While the project is located in the Junipero Serra State Scenic Corridor, staff has determined that its existing location does not generate any impacts on environmental resources of hazardous or critical concern, including impacts to visual resources.

For the Use Permit, Find:

2. That the establishment, maintenance, and/or conducting of the use will not, under the circumstances of this particular case, be detrimental to the public welfare or injurious to the property or improvements in said neighborhood because the project meets current Federal Communications Commission (FCC)



standards as shown in the radio frequency report and has been conditioned to maintain valid FCC and California Public Utilities Commission (CPUC) licenses. Additionally, the project conforms to the Visual Quality polices of the County General Plan, as discussed in Section A.1 of the staff report.

3. That this telecommunication facility is necessary for the public health, safety, convenience, or welfare of the community in that this cellular facility at this location provides increased and improved cellular coverage in the area for residents, commuters, and emergency personnel.

For the Resource Management Permit, Find:

4. That the project, as proposed and conditioned, is consistent with the goals, objectives, and regulations of the Resource Management Development Standards for setbacks and height limits and Development Review Criteria as stipulated in Chapter 20A of the San Mateo County Zoning Regulations. Specifically, the project complies with the following criteria:
5. Section 6324.1 (Environmental Review Criteria) seeks to cluster development, minimize grading, and prohibit the generation of long-term noise levels. The equipment enclosure will be located at the end of a Caltrans access road that terminates at the cellular enclosure and will be clustered around existing cellular facilities. No tree removal and minimal ground disturbance is required, as the facilities are already built. The noise from the replacement of the antennae will be temporary.
6. Section 6324.2 (Site Design Criteria) seeks to ensure that development is sited and designed to be subordinate to the existing natural characteristics of the site, avoids substantially detracting from the scenic and visual quality of the County, and employs colors and materials that blend with the surrounding natural environment. The project area is at the outermost extent of the scenic corridor.

As previously mentioned, the project will incorporate matte green colors, will not exceed 17 feet in height, and is further shielded by existing mature trees to avoid detracting from the visual quality of the area.

7. Section 6324.3 (Utilities) seeks to minimize the bulk, height and appearance of utility structures. The project has all utility lines installed underground from an existing on-site utility pole in the project area.
  
8. Section 6325.1 (Primary Scenic Resources Areas Criteria) seeks to prohibit development to significantly obscure, detract from, or negatively affect the quality of public views within and from scenic corridors, require pathway pavements to blend in with the surrounding landscape, and utilize colors and materials that blend in with the natural surrounding environment. As previously mentioned, the project utilizes existing infrastructure maintained by Caltrans and the project will incorporate matte green colors, and will not exceed 17 feet in height. Additionally, the Communications Facility will be shielded by existing mature trees to avoid detracting from the visual quality of the area.

For the Architectural Review Permit, Find:

9. That the proposed project complies with the architectural design standards for the Junipero Serra (I-280) State Scenic Corridor as evidenced by compliance with the applicable General Plan Visual Quality Policies. The project was designed to be minimally invasive as the telecommunications facility is located off an existing access road maintained by CalTrans. The height, colors, and natural landscape ensure the facility blends into the natural landscape and is minimally visually intrusive in the scenic corridor.

**RECOMMENDED CONDITIONS OF APPROVAL**

Current Planning Section

1. This approval applies only to the proposal, documents, and plans described in this report and submitted to and approved by the Planning Commission on May 25, 2022. Minor revisions or modifications may be approved by the Community Development Director if they are consistent with the intent of and in substantial conformance with this approval
2. Any change or change in intensity of use shall require an amendment to the Use Permit. Amendments to the Use Permit requires an application for amendment, payment of applicable fees, and consideration at a public hearing.
3. The Use Permit shall be valid for ten (10) years until May 25, 2032. If the applicant seeks to renew this permit, renewal shall be applied for six (6) months prior to expiration to the Planning and Building Department and shall be accompanied by the renewal application and fee applicable at that time.
4. The operator shall maintain the facility (including equipment and antennas) the approved non-reflective green color to blend into the natural surrounding environment. Any equipment modifications shall be painted non-reflective green to match the approved facility color.
5. At the time of use permit renewal, if staff has determined, based on a field inspection, that the color of the equipment and antennas or fencing is no longer in compliance with the approved color and condition, the applicant shall repaint the equipment and/or antennas with a like color and repair the fencing, as necessary.
6. This permit does not allow for the removal of any trees. Any tree removal will require a separate permit.
7. The applicant shall not enter into a contract with the landowner or lessee which reserves for one company exclusive use of structures on this site for

telecommunication facilities.

8. The wireless telecommunication facility shall not be lighted or marked unless required by the Federal Communications Commission (FCC) or the Federal Aviation Administration (FAA).
9. The applicant shall maintain all necessary licenses and registrations from the Federal Communications Commission (FCC), the California Public Utilities Commission (CPUC), and any other applicable regulatory bodies for operation of this facility. The applicant shall supply the Planning and Building Department with evidence of each of these licenses and registrations upon request. If any required license is ever revoked, the applicant shall inform the Planning and Building Department of the revocation within ten (10) days of receiving notice of such revocation.
10. The wireless telecommunication facility and all equipment associated with it shall be removed in its entirety by the applicant within ninety (90) days if the FCC and/or CPUC licenses and registrations are revoked or if the facility is abandoned or no longer needed, and the site shall be restored to blend with the surrounding area. The owner and/or operator of the wireless telecommunication facility shall notify the Planning Department upon abandonment of the facility. Restoration shall be completed within two (2) months of the removal of the facility.
11. Noise sources associated with demolition, construction, repair, remodeling, or grading of any real property shall be limited to the hours from 7:00 a.m. to 6:00 p.m., weekdays and 9:00 a.m. to 5:00 p.m., Saturdays. Said activities are prohibited on Sundays, Thanksgiving, and Christmas (San Mateo County Ordinance Code Section 4.88.360).
12. RF warning signs are required to be posted at the antennas and/or on the pole below the antennas, readily visible from any angle of approach to persons who

might need to work within the project area.

### Building Inspection Section

13. The applicant shall comply with all Building Inspection Section requirements at the building permit stage of the application to legalize the approved facility.

### Drainage Section

14. At the time of building permit submittal, the project will be required to comply with the County's "basic" drainage review requirements, dispersing rainwater to landscaping where feasible.

### San Mateo County Fire Department

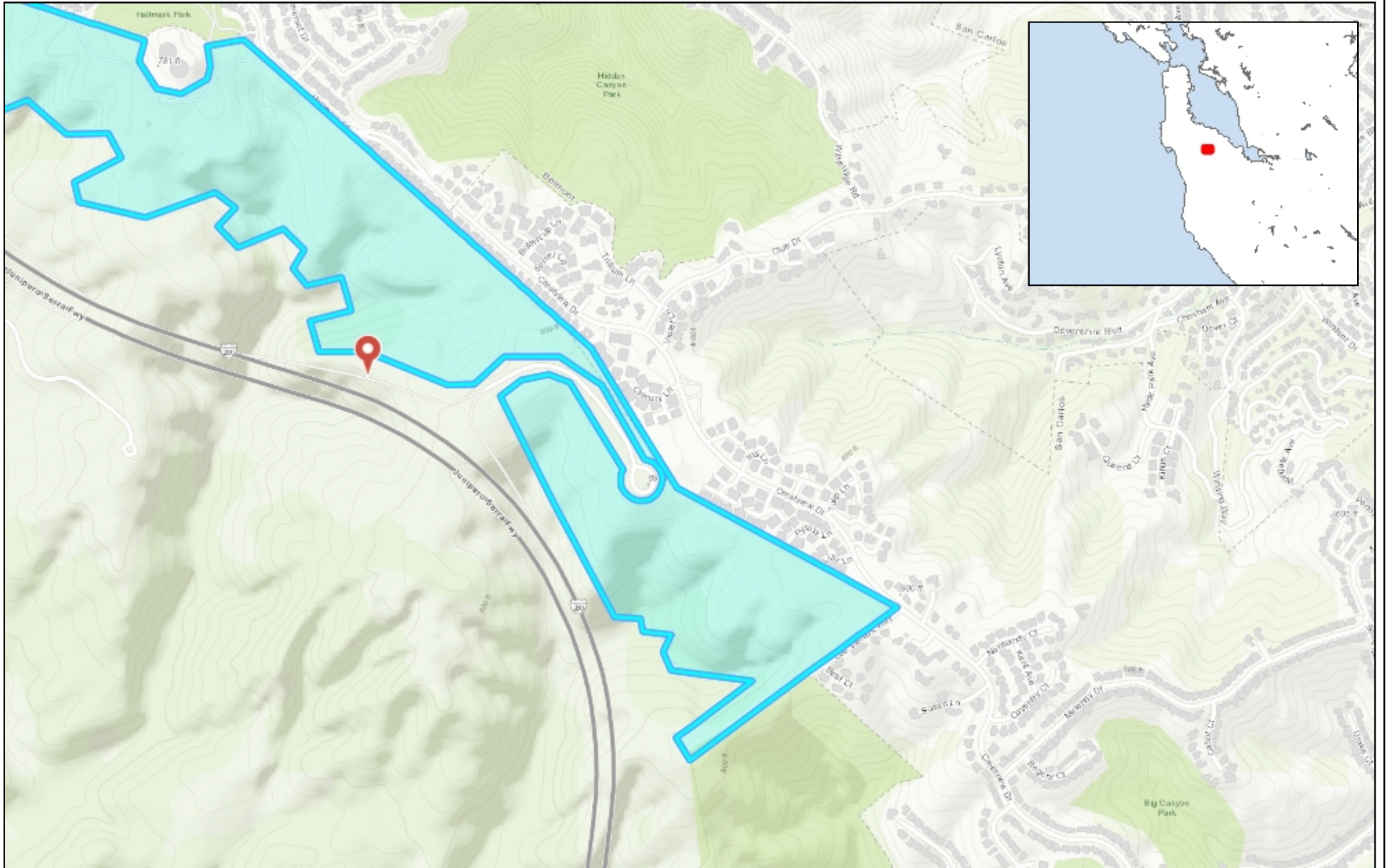
15. All new electrical conduit shall be separate.
16. A disconnect switch shall be mounted 10' above grade.
17. The existing private access road must be maintained. All potholes and any damaged roadway shall be filled and compacted to 95% and able to support fire apparatus weighing 75,000 lbs. Gravel road access shall be certified by an engineer as to the compaction and weight it will support.
18. A fuel break of defensible space is required around the perimeter of all structures, existing and new, to a distance of not less than 30 feet and may be required to a distance of 100 feet or to the property line. This is neither a requirement nor an authorization for the removal of living trees.

19. Trees located within the defensible space shall be pruned to remove dead and dying portions, and limbed up 6 feet above the ground. New trees planted in the defensible space shall be located no closer than 10' to adjacent trees when fully grown or at maturity.
20. A Knox padlock or key switch will be required if there is limited access to the property. CFC 506.1.
21. Any gates shall be a minimum of 2 feet wider than the access road/driveway they serve. Overhead gate structures shall have a minimum of 15 feet of vertical clearance. Locked gates shall be provided with a Knox Box or Knox Padlock. Electric gates shall have a Knox Key Switch. Electric gates shall automatically open during power failures. CFC 503.6, 506.



**County of San Mateo - Planning and Building Department**

# **ATTACHMENT B**



0.48 0 0.24 0.48 Miles

WGS\_1984\_Web\_Mercator\_Auxiliary\_Sphere  
© Latitude Geographics Group Ltd.

1: 15,343



This map is a user generated static output from an Internet mapping site and is for reference only. Data layers that appear on this map may or may not be accurate, current, or otherwise reliable.

**THIS MAP IS NOT TO BE USED FOR NAVIGATION**





0.48 0 0.24 0.48 Miles

WGS\_1984\_Web\_Mercator\_Auxiliary\_Sphere  
© Latitude Geographics Group Ltd.

1: 15,343



This map is a user generated static output from an Internet mapping site and is for reference only. Data layers that appear on this map may or may not be accurate, current, or otherwise reliable.

**THIS MAP IS NOT TO BE USED FOR NAVIGATION**



**County of San Mateo - Planning and Building Department**

# **ATTACHMENT C**

**CODE COMPLIANCE**

ALL WORK AND MATERIALS SHALL BE PERFORMED AND INSTALLED IN ACCORDANCE WITH THE CURRENT EDITIONS OF THE FOLLOWING CODES AS ADOPTED BY THE LOCAL GOVERNING AUTHORITIES. NOTHING IN THESE PLANS IS TO BE CONSTRUED TO PERMIT WORK NOT CONFORMING TO THESE CODES.

- CALIFORNIA BUILDING STANDARDS CODE: 2019 TRIENNIAL EDITION OF TITLE 24, WITH AN EFFECTIVE DATE OF JANUARY 1, 2020.  
PART 1 - CALIFORNIA ADMINISTRATIVE CODE  
PART 2 - CALIFORNIA BUILDING CODE, BASED ON THE 2018 INTERNATIONAL BUILDING CODE  
PART 2.5 - CALIFORNIA RESIDENTIAL CODE, BASED ON THE 2018 INTERNATIONAL RESIDENTIAL CODE  
PART 3 - CALIFORNIA ELECTRICAL CODE, BASED ON THE 2017 NATIONAL ELECTRICAL CODE  
PART 4 - CALIFORNIA MECHANICAL CODE, BASED ON THE 2018 UNIFORM MECHANICAL CODE  
PART 5 - CALIFORNIA PLUMBING CODE, BASED ON THE 2018 UNIFORM PLUMBING CODE  
PART 6 - CALIFORNIA ENERGY CODE  
PART 7 - VACANT  
PART 8 - CALIFORNIA HISTORICAL BUILDING CODE  
PART 9 - CALIFORNIA FIRE CODE, BASED ON THE 2018 INTERNATIONAL FIRE CODE  
PART 10 - CALIFORNIA EXISTING BUILDING CODE, BASED ON THE 2018 INTERNATIONAL EXISTING BUILDING CODE  
PART 11 - CALIFORNIA GREEN BUILDING STANDARDS CODE (ALSO KNOWN AS CALGREEN)  
PART 12 - CALIFORNIA REFERENCED STANDARDS CODE
- ANSI/TIA-222 (REV H)
- 2018 NFPA 101, LIFE SAFETY CODE
- 2019 NFPA 72, NATIONAL FIRE ALARM AND SIGNALING CODE
- 2019 NFPA 13, STANDARD FOR THE INSTALLATION OF SPRINKLER SYSTEMS



**SITE NUMBER:** CCL00160  
**SITE NAME:** CRYSTAL SPRINGS  
**SITE TYPE:** SHELTER (INDOOR)  
**ADDRESS:** VISTA POINT II  
 SAN CARLOS, CA 94070

**USID:** 13258  
**FA#:** 10095841  
**4TX4RX SOFTWARE RETROFIT**  
**PTN#:** 3701A0WTF5  
**PACE#:** MRSFR074344  
**5G NR 1DR-1**  
**PTN#:** 3701A0WT3P  
**PACE#:** MRSFR074386

**APPROVALS**

THE FOLLOWING PARTIES HEREBY APPROVE AND ACCEPT THESE DOCUMENTS & AUTHORIZE THE SUBCONTRACTOR TO PROCEED WITH CONSTRUCTION DESCRIBED HEREIN. ALL DOCUMENTS ARE SUBJECT TO REVIEW BY LOCAL BUILDING DEPARTMENT & MAY IMPOSE CHANGES AND MODIFICATIONS.

DISCIPLINE:	SIGNATURE	DATE
RF ENGINEER:		
AT&T PM:		
CIVIL:		
A&E:		
SAQ PM:		
PROPERTY OWNER:		

PREPARED FOR  
  
 5001 EXECUTIVE PKWY,  
 SAN RAMON CA 94583

Vendor:  
  
 2030 MAIN STREET, SUITE 200  
 IRVINE, CA 92614  
 P-050284

AT&T Site ID:  
**CCL00160**

**PROJECT DESCRIPTION**

MODIFICATION TO AN UNMANNED TELECOMMUNICATIONS FACILITY, CONSISTING OF THE FOLLOWING:

- ANTENNA/RRU SOW:**
- REMOVE (3) PANEL ANTENNAS, TYP. 1 PER SECTOR
  - REMOVE (3) RRUS 11 B12 NEAR ANTENNAS, TYP. 1 PER SECTOR
  - INSTALL (3) PANEL ANTENNAS, TYP. 1 PER SECTOR
  - INSTALL (3) RRUS 4449 B5/B12 NEAR ANTENNAS, TYP. 1 PER SECTOR
- EQUIPMENT SOW:**
- INSTALL (1) 6630 WITHIN EXISTING RACK
  - REMOVE (1) RBS CABINET
  - INSTALL (4) STRINGS OF 185AH BATTERIES WITHIN (P) BATTERY RACK

REV	DATE	DESCRIPTION	INT.
1	03/01/21	EME REPORT	MM3
0	02/05/21	100% CD	JY/MM
A	12/07/20	90% CD	BH

Licenser:

It is a violation of law for any persons, unless they are acting under the direction of a licensed professional engineer, to alter this document

Issued For:  
**CCL00160**  
**CRYSTAL SPRINGS**  
 VISTA POINT II  
 SAN CARLOS, CA 94070  
 A.P.N.: RIGHT-OF-WAY

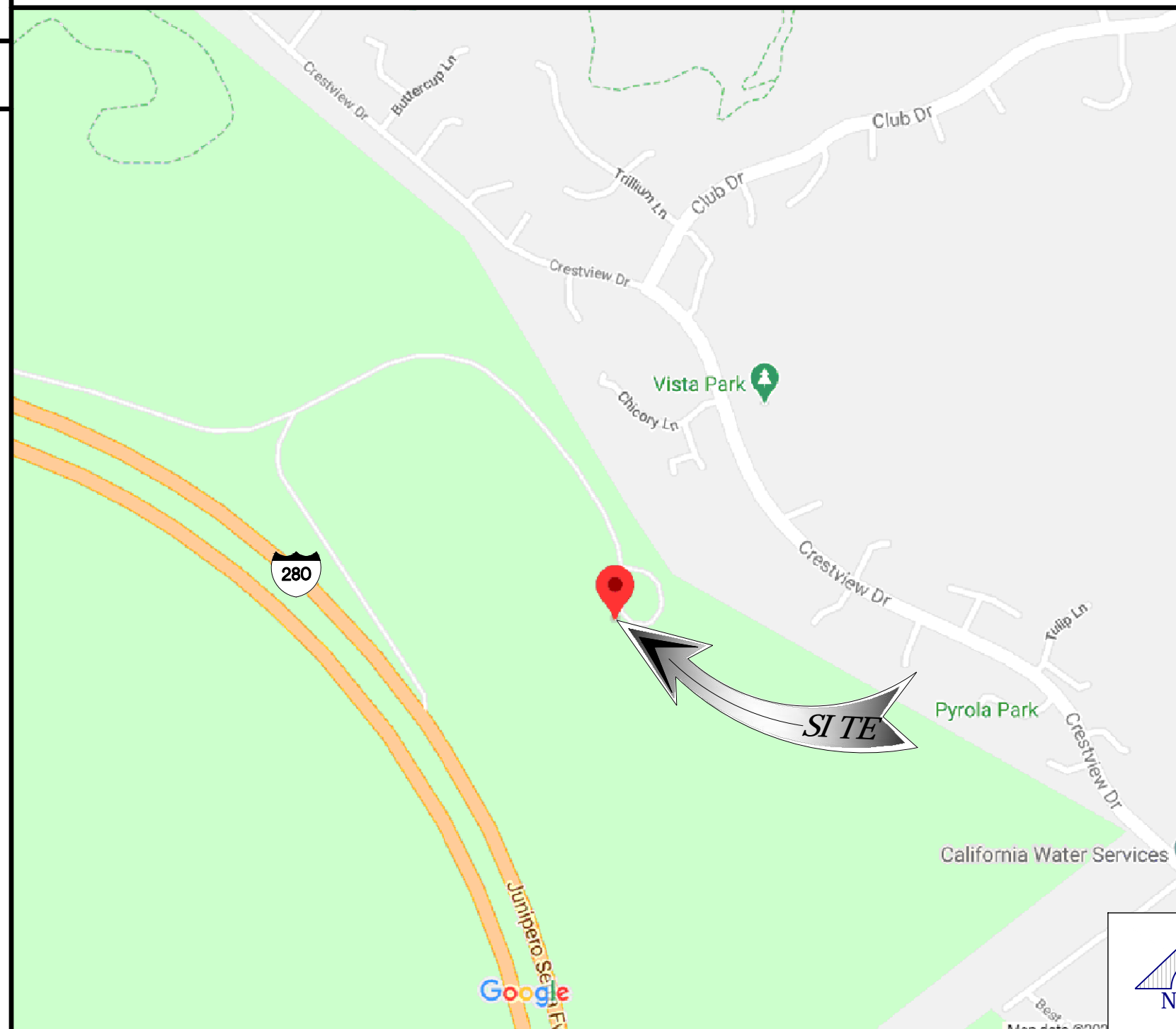
Sheet Title:  
**TITLE SHEET**

Sheet Number:  
**T-1**

**SHEET INDEX** **REV.**

T-1	TITLE SHEET	1
GN-1	GENERAL NOTES	1
A-1	OVERALL SITE PLAN	1
A-1.1	ENLARGED SITE PLAN	1
A-2	EQUIPMENT PLANS	1
A-3	EXISTING & PROPOSED ANTENNA PLANS	1
A-3.1	PROPOSED RF SCHEDULE	1
A-4	SOUTHWEST ELEVATIONS	1
A-5	NORTHEAST ELEVATIONS	1
D-1	DETAILS	1
D-2	DETAILS	1
D-3	DETAILS	1
RF-1	PLUMBING DIAGRAM	1
G-1	GROUNDING PLAN & NOTES	1
G-2	GROUNDING DETAILS	1
MSDS	MATERIAL SAFETY DATA SHEET & LEAD ACID BATTERY	1
EME-1	EME SIGNAGE LOCATION PLAN	1
SS-1	SITE SIGNAGE	1

**VICINITY MAP**



**LOCAL MAP**



**PROJECT TEAM**

<b>APPLICANT / LESSEE:</b> AT&T MOBILITY SERVICES, LLC 5001 EXECUTIVE PKWY, SAN RAMON, CA 94583 CONTACT: ROZ DUNCAN SOUTH BAY PROJECT MANAGER EMAIL: r6459@att.com	<b>PROJECT MANAGER:</b> J5 INFRASTRUCTURE PARTNERS 2030 MAIN STREET, SUITE 200 IRVINE, CA 92614 CONTACT: CHASE OTIS EMAIL: COTIS@j5ip.com PH: (415) 601.3194
<b>CONSTRUCTION MANAGER:</b> AT&T MOBILITY SERVICES, LLC 5001 EXECUTIVE PKWY, SAN RAMON, CA 94583 CONTACT: DAVID KOCH Sr. Specialist-Tech EMAIL: dk5751@att.com CELL: (925) 353-0172	<b>CONSTRUCTION TEAM:</b> ERICSSON 4120 DUBLIN BLVD. SUITE 450 DUBLIN, CA 94568 CONTACT: VIJAY PARHAR CONSTRUCTION MANAGER II EMAIL: vijay.parhar@ericsson.com PH: (916) 524-1821
<b>RF ENGINEER:</b> AT&T MOBILITY SERVICES, LLC 5001 EXECUTIVE PKWY, SAN RAMON, CA 94583 CONTACT: JOSE PABELONIO RAN ENGINEER EMAIL: jp5720@att.com PH: (949) 344-1628	<b>A&amp;E MANAGER:</b> J5 INFRASTRUCTURE PARTNERS 2030 MAIN STREET, SUITE 200 IRVINE, CA 92614 contact: STEVEN M. RAMON email: sramon@j5ip.com ph: (949) 247-7767 ext 158

**GENERAL CONTRACTOR NOTES**

DO NOT SCALE DRAWINGS  
 THESE PLANS ARE FORMATTED TO BE FULL SIZE AT 24" X 36". CONTRACTORS SHALL VERIFY ALL PLANS AND EXISTING DIMENSIONS AND CONDITIONS ON THE JOB SITE AND SHALL IMMEDIATELY NOTIFY THE ARCHITECT/ENGINEER IN WRITING OF ANY DISCREPANCIES BEFORE PROCEEDING WITH THE WORK OR MATERIAL ORDERS OR BE RESPONSIBLE FOR THE SAME.

**DRIVING DIRECTIONS**

DIRECTIONS FROM AT&T OFFICE: 5001 EXECUTIVE PKWY, SAN RAMON CA 94583

- TURN RIGHT ONTO EXECUTIVE PKWY
- TURN RIGHT ONTO CAMINO RAMON
- USE THE RIGHT 2 LANES TO TURN RIGHT ONTO BOLLINGER CANYON RD
- USE THE RIGHT LANE TO MERGE ONTO I-680 S VIA THE RAMP TO SAN JOSE
- MERGE ONTO I-680 S
- TAKE EXIT 30B TO MERGE ONTO I-580 W TOWARD DUBLIN/OAKLAND
- KEEP LEFT AT THE FORK TO CONTINUE ON I-238 N. FOLLOW SIGNS FOR I-880
- USE THE RIGHT 2 LANES TO TAKE EXIT 16A TO MERGE ONTO I-880 S TOWARD SAN JOSE/SAN MATEO BRIDGE
- USE THE RIGHT 2 LANES TO TAKE EXIT 27 FOR CA-92 W/CA-92 TOWARD SAN MATEO BRIDGE/JACKSON ST
- KEEP RIGHT AT THE FORK. FOLLOW SIGNS FOR CA-92 W/SAN MATEO/HALF MOON BAY AND MERGE ONTO CA-92 W
- USE THE RIGHT 2 LANES TO TAKE EXIT 8 TOWARD SAN JOSE
- MERGE ONTO I-280 S
- TAKE EXIT 29 FOR EDGEWOOD RD
- TURN LEFT ONTO EDGEWOOD RD (SIGNS FOR SAN CARLOS/REDWOOD CITY)
- TURN LEFT TO MERGE ONTO I-280 N TOWARD SAN FRANCISCO
- DESTINATION WILL BE ON THE RIGHT



**SITE INFORMATION**

**PROPERTY OWNER:**  
CALIFORNIA DEPARTMENT OF TRANSPORTATION  
1120 N STREET  
SACRAMENTO, CA 95814

**JURISDICTION:** SAN MATEO COUNTY/CALTRANS  
**A.P.N.:** RIGHT-OF-WAY  
**CURRENT ZONING:** RM-RESOURCE MANAGEMENT  
**EXISTING USE:** MULTIUSE  
**PROPOSED USE:** MULTIUSE, COMMUNICATIONS FACILITY  
**LATITUDE (NAD 83):** 37.4926481  
 37° 29' 33.53" N  
**LONGITUDE (NAD 83):** -122.2976511  
 122° 17' 51.54" W

**ACCESSIBILITY REQUIREMENTS:** FACILITY IS UNMANNED AND NOT FOR HUMAN HABITATION. ACCESSIBILITY IS NOT REQUIRED PER CBC2019, SECTION 11B-203.4 (LIMITED ACCESS SPACE)

**POWER AGENCY:** PG&E  
 PH: (800) 743-5000  
**TELEPHONE AGENCY:** AT&T

**RFDS VERSION:** 3.00  
**DATE:** 11/23/20  
**UPDATED:** 01/08/21

**GENERAL NOTES**

THE FACILITY IS UNMANNED AND NOT FOR HUMAN HABITATION. A TECHNICIAN WILL VISIT THE SITE AS REQUIRED FOR ROUTINE MAINTENANCE. THE PROJECT WILL NOT RESULT IN ANY SIGNIFICANT DISTURBANCE OR EFFECT ON DRAINAGE; NO SANITARY SEWER SERVICE, POTABLE WATER, OR TRASH DISPOSAL IS REQUIRED AND NO COMMERCIAL SIGNAGE IS PROPOSED.

**STATEMENTS**

STRUCTURAL ANALYSIS IS NOT WITHIN THE SCOPE OF WORK CONTAINED IN THIS DRAWINGS SET. FOR ANALYSIS OF EXISTING AND/OR PROPOSED COMPONENTS, REFER TO STRUCTURAL ANALYSIS PROVIDED UNDER SEPARATE COVER.

ANTENNA MOUNT ANALYSIS IS NOT WITHIN THE SCOPE OF WORK CONTAINED IN THIS DRAWING SET. FOR ANALYSIS OF MOUNT TO SUPPORT EXISTING AND/OR PROPOSED COMPONENTS, REFER TO ANTENNA MOUNT STRUCTURAL ANALYSIS PROVIDED UNDER SEPARATE COVER.

GENERAL CONSTRUCTION NOTES:

- PLANS ARE INTENDED TO BE DIAGRAMMATIC OUTLINE ONLY, UNLESS NOTED OTHERWISE. THE WORK SHALL INCLUDE FURNISHING MATERIALS, EQUIPMENT, APPURTENANCES AND LABOR NECESSARY TO COMPLETE ALL INSTALLATIONS AS INDICATED ON THE DRAWINGS.
- THE CONTRACTOR SHALL OBTAIN, IN WRITING, AUTHORIZATION TO PROCEED BEFORE STARTING WORK ON ANY ITEM NOT CLEARLY DEFINED OR IDENTIFIED BY THE CONTRACT DOCUMENTS.
- CONTRACTOR SHALL CONTACT USA (UNDERGROUND SERVICE ALERT) AT (800) 227-2600, FOR UTILITY LOCATIONS, 48 HOURS BEFORE PROCEEDING WITH ANY EXCAVATION, SITE WORK OR CONSTRUCTION.
- THE CONTRACTOR SHALL INSTALL ALL EQUIPMENT AND MATERIALS IN ACCORDANCE WITH MANUFACTURER'S RECOMMENDATIONS UNLESS SPECIFICALLY INDICATED OTHERWISE, OR WHERE LOCAL CODES OR REGULATIONS TAKE PRECEDENCE.
- ALL CONSTRUCTION SHALL BE IN ACCORDANCE WITH THE CBC / UBC'S REQUIREMENTS REGARDING EARTHQUAKE RESISTANCE, FOR, BUT NOT LIMITED TO, PIPING, LIGHT FIXTURES, CEILING GRID, INTERIOR PARTITIONS, AND MECHANICAL EQUIPMENT. ALL WORK MUST COMPLY WITH LOCAL EARTHQUAKE CODES AND REGULATIONS.
- REPRESENTATIONS OF TRUE NORTH, OTHER THAN THOSE FOUND ON THE PLOT OF SURVEY DRAWINGS, SHALL NOT BE USED TO IDENTIFY OR ESTABLISH BEARING OF TRUE NORTH AT THE SITE. THE CONTRACTOR SHALL RELY SOLELY ON THE PLOT OF SURVEY DRAWING AND ANY SURVEYOR'S MARKINGS AT THE SITE FOR THE ESTABLISHMENT OF TRUE NORTH, AND SHALL NOTIFY THE ARCHITECT / ENGINEER PRIOR TO PROCEEDING WITH THE WORK IF ANY DISCREPANCY IS FOUND BETWEEN THE VARIOUS ELEMENTS OF THE WORKING DRAWINGS AND THE TRUE NORTH ORIENTATION AS DEPICTED ON THE CIVIL SURVEY. THE CONTRACTOR SHALL ASSUME SOLE LIABILITY FOR ANY FAILURE TO NOTIFY THE ARCHITECT / ENGINEER.
- THE BUILDING DEPARTMENT ISSUING THE PERMITS SHALL BE NOTIFIED AT LEAST TWO WORKING DAYS PRIOR TO THE COMMENCEMENT OF WORK, OR AS OTHERWISE STIPULATED BY THE CODE ENFORCEMENT OFFICIAL HAVING JURISDICTION.
- DO NOT EXCAVATE OR DISTURB BEYOND THE PROPERTY LINES OR LEASE LINES, UNLESS OTHERWISE NOTED.
- ALL EXISTING UTILITIES, FACILITIES, CONDITIONS, AND THEIR DIMENSIONS SHOWN ON THE PLAN HAVE BEEN PLOTTED FROM AVAILABLE RECORDS. THE ARCHITECT / ENGINEER AND THE OWNER ASSUME NO RESPONSIBILITY WHATSOEVER AS TO THE SUFFICIENCY OR THE ACCURACY OF THE INFORMATION SHOWN ON THE PLANS, OR THE MANNER OF THEIR REMOVAL OR ADJUSTMENT. CONTRACTORS SHALL BE RESPONSIBLE FOR DETERMINING EXACT LOCATION OF ALL EXISTING UTILITIES AND FACILITIES PRIOR TO START OF CONSTRUCTION. CONTRACTORS SHALL ALSO OBTAIN FROM EACH UTILITY COMPANY DETAILED INFORMATION RELATIVE TO WORKING SCHEDULES AND METHODS OF REMOVING OR ADJUSTING EXISTING UTILITIES.
- CONTRACTOR SHALL VERIFY ALL EXISTING UTILITIES, BOTH HORIZONTAL AND VERTICALLY, PRIOR TO THE START OF CONSTRUCTION. ANY DISCREPANCIES OR DOUBTS AS TO THE INTERPRETATION OF PLANS SHOULD BE IMMEDIATELY REPORTED TO THE ARCHITECT / ENGINEER FOR RESOLUTION AND INSTRUCTION, AND NO FURTHER WORK SHALL BE PERFORMED UNTIL THE DISCREPANCY IS CHECKED AND CORRECTED BY THE ARCHITECT / ENGINEER. FAILURE TO SECURE SUCH INSTRUCTION MEANS CONTRACTOR WILL HAVE WORKED AT HIS/HER OWN RISK AND EXPENSE.
- ALL NEW AND EXISTING UTILITIES ON SITE AND IN AREAS TO BE DISTURBED BY CONSTRUCTION SHALL BE ADJUSTED TO FINISH ELEVATIONS PRIOR TO FINAL INSPECTION OF WORK.
- ANY DRAIN AND/OR FIELD TILE ENCOUNTERED / DISTURBED DURING CONSTRUCTION SHALL BE RETURNED TO ITS ORIGINAL CONDITION PRIOR TO COMPLETION OF WORK. SIZE, LOCATION AND TYPE OF ANY UNDERGROUND UTILITIES OR IMPROVEMENTS SHALL BE ACCURATELY NOTED AND PLACED ON "AS-BUILT" DRAWINGS BY GENERAL CONTRACTOR, AND ISSUED TO THE ARCHITECT / ENGINEER AT COMPLETION OF PROJECT.
- ALL TEMPORARY EXCAVATIONS FOR THE INSTALLATION OF FOUNDATIONS, UTILITIES, ETC., SHALL BE PROPERLY LAID BACK OR BRACED IN ACCORDANCE WITH CORRECT OCCUPATIONAL SAFETY AND HEALTH ADMINISTRATION (OSHA) REQUIREMENTS.
- INCLUDE MISC. ITEMS PER AT&T SPECIFICATIONS

A.B. ANCHOR BOLT  
 ABV. ABOVE  
 ACCA ANTENNA CABLE COVER ASSEMBLY  
 ADD'L ADDITIONAL  
 A.F.F. ABOVE FINISHED FLOOR  
 A.F.G. ABOVE FINISHED GRADE  
 ALUM. ALUMINUM  
 ALT. ALTERNATE  
 ANT. ANTENNA  
 APPRX. APPROXIMATE(LY)  
 ARCH. ARCHITECT(URAL)  
 AWG. AMERICAN WIRE GAUGE  
 BLDG. BUILDING  
 BLK. BLOCK  
 BLKG. BLOCKING  
 BM. BEAM  
 B.N. BOUNDARY NAILING  
 BTCW. BARE TINNED COPPER WIRE  
 B.O.F. BOTTOM OF FOOTING  
 B/U BACK-UP CABINET  
 CAB. CABINET  
 CANT. CANTILEVER(ED)  
 C.I.P. CAST IN PLACE  
 CLG. CEILING  
 CLR. CLEAR  
 COL. COLUMN  
 CONC. CONCRETE  
 CONN. CONNECTION(OR)  
 CONST. CONSTRUCTION  
 CONT. CONTINUOUS  
 d PENNY (NAILS)  
 DBL. DOUBLE  
 DEPT. DEPARTMENT  
 D.F. DOUGLAS FIR  
 DIA. DIAMETER  
 DIAG. DIAGONAL  
 DIM. DIMENSION  
 DWG. DRAWING(S)  
 DWL. DOWEL(S)  
 EA. EACH  
 EL. ELEVATION  
 ELEC. ELECTRICAL  
 ELEV. ELEVATOR  
 EMT. ELECTRICAL METALLIC TUBING  
 E.N. EDGE NAIL  
 ENG. ENGINEER  
 EQ. EQUAL  
 EXP. EXPANSION  
 EXST.(E) EXISTING  
 EXT. EXTERIOR  
 FAB. FABRICATION(OR)  
 F.F. FINISH FLOOR  
 F.G. FINISH GRADE  
 FIN. FINISH(ED)  
 FLR. FLOOR

ANCHOR BOLT  
 ABOVE  
 ANTENNA CABLE COVER ASSEMBLY  
 ADDITIONAL  
 ABOVE FINISHED FLOOR  
 ABOVE FINISHED GRADE  
 ALUMINUM  
 ALTERNATE  
 ANTENNA  
 APPROXIMATE(LY)  
 ARCHITECT(URAL)  
 AMERICAN WIRE GAUGE  
 BUILDING  
 BLOCK  
 BLOCKING  
 BEAM  
 BOUNDARY NAILING  
 BARE TINNED COPPER WIRE  
 BOTTOM OF FOOTING  
 BACK-UP CABINET  
 CABINET  
 CANTILEVER(ED)  
 CAST IN PLACE  
 CEILING  
 CLEAR  
 COLUMN  
 CONCRETE  
 CONNECTION(OR)  
 CONSTRUCTION  
 CONTINUOUS  
 PENNY (NAILS)  
 DOUBLE  
 DEPARTMENT  
 DOUGLAS FIR  
 DIAMETER  
 DIAGONAL  
 DIMENSION  
 DRAWING(S)  
 DOWEL(S)  
 EACH  
 ELEVATION  
 ELECTRICAL  
 ELEVATOR  
 ELECTRICAL METALLIC TUBING  
 EDGE NAIL  
 ENGINEER  
 EQUAL  
 EXPANSION  
 EXISTING  
 EXTERIOR  
 FABRICATION(OR)  
 FINISH FLOOR  
 FINISH GRADE  
 FINISH(ED)  
 FLOOR

FDN. FOUNDATION  
 F.O.C. FACE OF CONCRETE  
 F.O.M. FACE OF MASONRY  
 F.O.S. FACE OF STUD  
 F.O.W. FACE OF WALL  
 F.S. FINISH SURFACE  
 FT.( ' ) FOOT (FEET)  
 FTG. FOOTING  
 G. GROWTH (CABINET)  
 GA. GAUGE  
 GI. GALVANIZE(D)  
 G.F.I. GROUND FAULT CIRCUIT  
 INTERRUPTER  
 GLB. (GLU-LAM) GLUE LAMINATED BEAM  
 GPS GLOBAL POSITIONING SYSTEM  
 GRND. GROUND  
 HDR. HEADER  
 HGR. HANGER  
 HT. HEIGHT  
 ICGB. ISOLATED COPPER GROUND BUS  
 IN. ( " ) INCH(ES)  
 INT. INTERIOR  
 LB.(#) POUND(S)  
 L.B. LAG BOLTS  
 L.F. LINEAR FEET (FOOT)  
 L. LONG(ITUDINAL)  
 MAS. MASONRY  
 MAX. MAXIMUM  
 M.B. MACHINE BOLT  
 MECH. MECHANICAL  
 MFR. MANUFACTURER  
 MIN. MINIMUM  
 MISC. MISCELLANEOUS  
 MTL. METAL  
 (N) NEW  
 NO.(#) NUMBER  
 N.T.S. NOT TO SCALE  
 O.C. ON CENTER  
 OPNG. OPENING  
 P/C PRECAST CONCRETE  
 PCS PERSONAL COMMUNICATION  
 PLY. PLYWOOD  
 PPC POWER PROTECTION CABINET  
 PRC PRIMARY RADIO CABINET  
 P.S.F. POUNDS PER SQUARE FOOT  
 P.S.I. POUNDS PER SQUARE INCH  
 P.T. PRESSURE TREATED  
 PWR. POWER (CABINET)  
 QTY. QUANTITY  
 RAD.(R) RADIUS  
 REF. REFERENCE  
 REINF. REINFORCEMENT(ING)  
 REQ'D/ REQUIRED  
 RGS. RIGID GALVANIZED STEEL

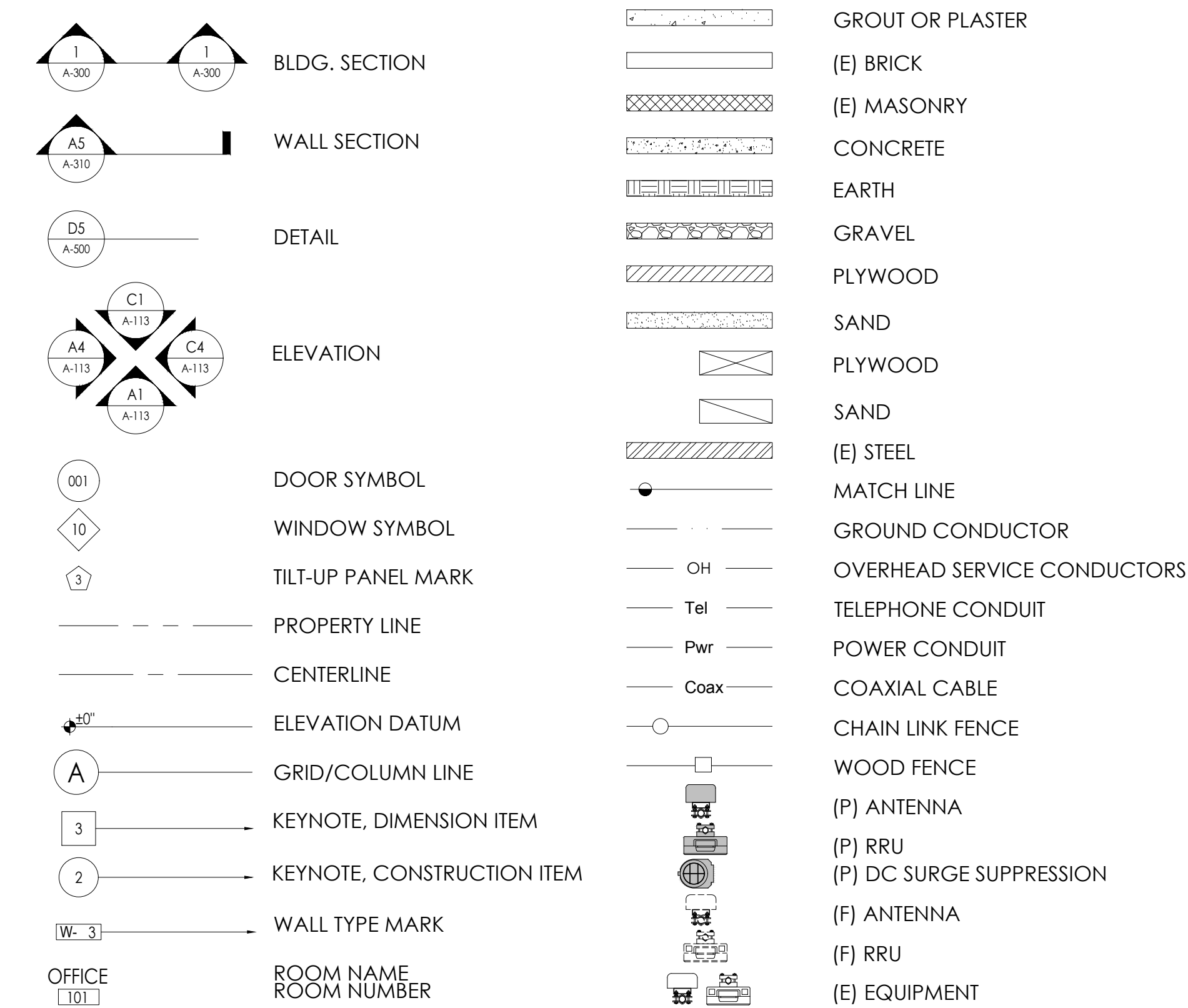
ABBREVIATIONS:

SCH. SCHEDULE  
 SHT. SHEET  
 SIM. SIMILAR  
 SPEC. SPECIFICATIONS  
 SQ. SQUARE  
 S.S. STAINLESS STEEL  
 STD. STANDARD  
 STL. STEEL  
 STRUC. STRUCTURAL  
 TEMP. TEMPORARY  
 THK. THICK(NESS)  
 T.N. TOE NAIL  
 T.O.A. TOP OF ANTENNA  
 T.O.C. TOP OF CURB  
 T.O.F. TOP OF FOUNDATION  
 T.O.P. TOP OF PLATE (PARAPET)  
 T.O.S. TOP OF STEEL  
 T.O.W. TOP OF WALL  
 TYP. TYPICAL  
 U.G. UNDER GROUND  
 U.L. UNDERWRITERS LABORATORY  
 U.N.O. UNLESS NOTED OTHERWISE  
 V.I.F. VERIFY IN FIELD  
 W. WIDE (WIDTH)  
 W/ WITH  
 WD. WOOD  
 W.P. WEATHERPROOF  
 WT. WEIGHT  
 CL CENTERLINE  
 PL PLATE, PROPERTY LINE

APPLICABLE CODES, REGULATIONS AND STANDARDS:

- SUBCONTRACTOR'S WORK SHALL COMPLY WITH ALL APPLICABLE NATIONAL, STATE, AND LOCAL CODES AS ADOPTED BY THE LOCAL AUTHORITY HAVING JURISDICTION (AHJ) FOR THE LOCATION.
- THE EDITION OF THE AHJ ADOPTED CODES AND STANDARDS IN EFFECT ON THE DATE OF CONTRACT AWARD SHALL GOVERN THE DESIGN.
- SUBCONTRACTOR'S WORK SHALL COMPLY WITH THE LATEST EDITION OF THE FOLLOWING STANDARDS:
  - AMERICAN CONCRETE INSTITUTE (ACI) 318, BUILDING CODE REQUIREMENTS FOR STRUCTURAL CONCRETE
  - AMERICAN INSTITUTE OF STEEL CONSTRUCTION (AISC), MANUAL OF STEEL CONSTRUCTION, ASD, FIFTEENTH EDITION
  - TELECOMMUNICATIONS INDUSTRY ASSOCIATION (TIA) 222-H, STRUCTURAL STANDARD FOR STRUCTURAL ANTENNA TOWER AND ANTENNA SUPPORTING STRUCTURES
  - INSTITUTE FOR ELECTRICAL AND ELECTRONICS ENGINEERS (IEEE) 81, GUIDE FOR MEASURING EARTH RESISTIVITY, GROUND IMPEDANCE, AND EARTH SURFACE POTENTIALS OF A GROUND SYSTEM IEEE 1100 (1999) RECOMMENDED PRACTICE FOR POWERING AND GROUNDING OF ELECTRICAL EQUIPMENT.
  - IEEE C62.41, RECOMMENDED PRACTICES ON SURGE VOLTAGES IN LOW VOLTAGE AC POWER CIRCUITS (FOR LOCATION CATEGORY "C3" AND "HIGH SYSTEM EXPOSURE")
  - TIA 607 COMMERCIAL BUILDING GROUNDING AND BONDING REQUIREMENTS FOR TELECOMMUNICATIONS TELCORDIA GR-63 NETWORK
  - EQUIPMENT-BUILDING SYSTEM (NEBS): PHYSICAL PROTECTION
  - TELCORDIA GR-347 CENTRAL OFFICE POWER WIRING
  - TELCORDIA GR-1275 GENERAL INSTALLATION REQUIREMENTS
  - TELCORDIA GR-1503 COAXIAL CABLE CONNECTIONS
  - ANY AND ALL OTHER LOCAL & STATE LAWS AND REGULATIONS
  - FOR ANY CONFLICTS BETWEEN SECTIONS OF LISTED CODES AND STANDARDS REGARDING MATERIAL, METHODS OF CONSTRUCTION, OR OTHER REQUIREMENTS, THE MOST RESTRICTIVE SHALL GOVERN. WHERE THERE IS CONFLICT BETWEEN A GENERAL REQUIREMENT AND A SPECIFIC REQUIREMENT, THE SPECIFIC REQUIREMENT SHALL GOVERN.

SYMBOLS LEGEND:



PREPARED FOR

5001 EXECUTIVE PKWY,  
SAN RAMON CA 94583

Vendor:

2030 MAIN STREET, SUITE 200  
IRVINE, CA 92614

P-050284

AT&T Site ID:

**CCL00160**

1	03/01/21	EME REPORT	MM3
0	02/05/21	100% CD	JY/MM
A	12/07/20	90% CD	BH
REV	DATE	DESCRIPTION	INT.

Licenser:

SIGNED: 2021/03/01  
EXPIRES: 2021/03/31

It is a violation of law for any persons, unless they are acting under the direction of a licensed professional engineer, to alter this document

Issued For:

**CCL00160**

**CRYSTAL SPRINGS**

VISTA POINT II  
SAN CARLOS, CA 94070

A.P.N.: RIGHT-OF-WAY

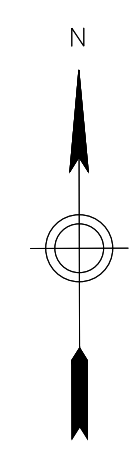
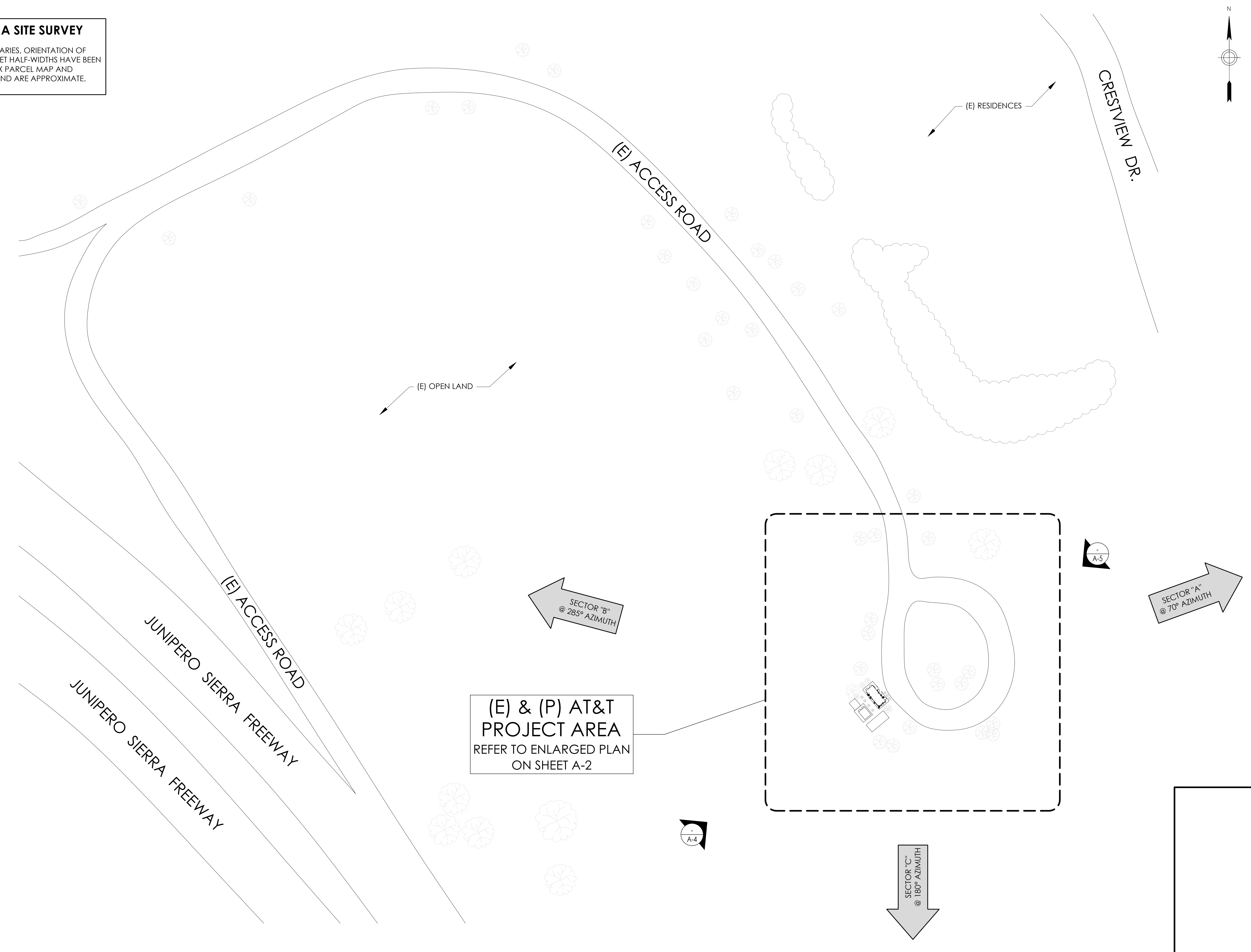
Sheet Title:


**GENERAL NOTES**

Sheet Number:

**GN-1**

**THIS IS NOT A SITE SURVEY**  
 ALL PROPERTY BOUNDARIES, ORIENTATION OF TRUE NORTH AND STREET HALF-WIDTHS HAVE BEEN OBTAINED FROM A TAX PARCEL MAP AND EXISTING DRAWINGS AND ARE APPROXIMATE.



PREPARED FOR  
  
 5001 EXECUTIVE PKWY,  
 SAN RAMON CA 94583

Vendor:  
  
 2030 MAIN STREET, SUITE 200  
 IRVINE, CA 92614  
 P-050284

AT&T Site ID:  
**CCL00160**

REV	DATE	DESCRIPTION	INT.
1	03/01/21	EME REPORT	MM3
0	02/05/21	100% CD	JY/MM
A	12/07/20	90% CD	BH

Licenser:  
  
 REGISTERED PROFESSIONAL ENGINEER  
 Z. Gerami  
 No. 89570  
 CIVIL  
 STATE OF CALIFORNIA  
 SIGNED: 2021/03/01  
 EXPIRES: 2021/03/31

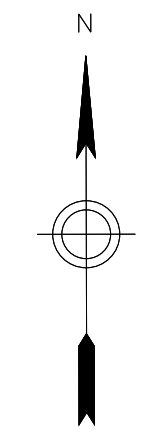
It is a violation of law for any persons, unless they are acting under the direction of a licensed professional engineer, to alter this document

Issued For:  
**CCL00160**  
**CRYSTAL SPRINGS**  
 VISTA POINT II  
 SAN CARLOS, CA 94070  
 A.P.N.: RIGHT-OF-WAY

Sheet Title:  
**OVERALL SITE PLAN**

Sheet Number:  
**A-1**

**(E) & (P) AT&T PROJECT AREA**  
 REFER TO ENLARGED PLAN ON SHEET A-2



PREPARED FOR



5001 EXECUTIVE PKWY,  
SAN RAMON CA 94583

Vendor:



2030 MAIN STREET, SUITE 200  
IRVINE, CA 92614

P-050284

AT&T Site ID:

**CCL00160**

REV	DATE	DESCRIPTION	INT.
1	03/01/21	EME REPORT	MM3
0	02/05/21	100% CD	JY/MM
A	12/07/20	90% CD	BH

Licenser:



SIGNED: 2021/03/01  
EXPIRES: 2021/03/31

It is a violation of law for any persons, unless they are acting under the direction of a licensed professional engineer, to alter this document

Issued For:

**CCL00160**

**CRYSTAL SPRINGS**

VISTA POINT II  
SAN CARLOS, CA 94070

A.P.N.: RIGHT-OF-WAY

Sheet Title:

**ENLARGED SITE PLAN  
& EQUIPMENT PLANS**

Sheet Number:

**A-1.1**

**(E) & (P) AT&T  
EQUIPMENT/ANTENNA PLANS**  
REFER TO EQUIPMENT PLAN ON SHEET A-2  
& ANTENNA PLAN ON SHEET A-3

SECTOR "B"  
@ 285° AZIMUTH

(E) AT&T EQUIPMENT  
SHELTER

(E) EQUIPMENT SHELTER,  
BY OTHERS

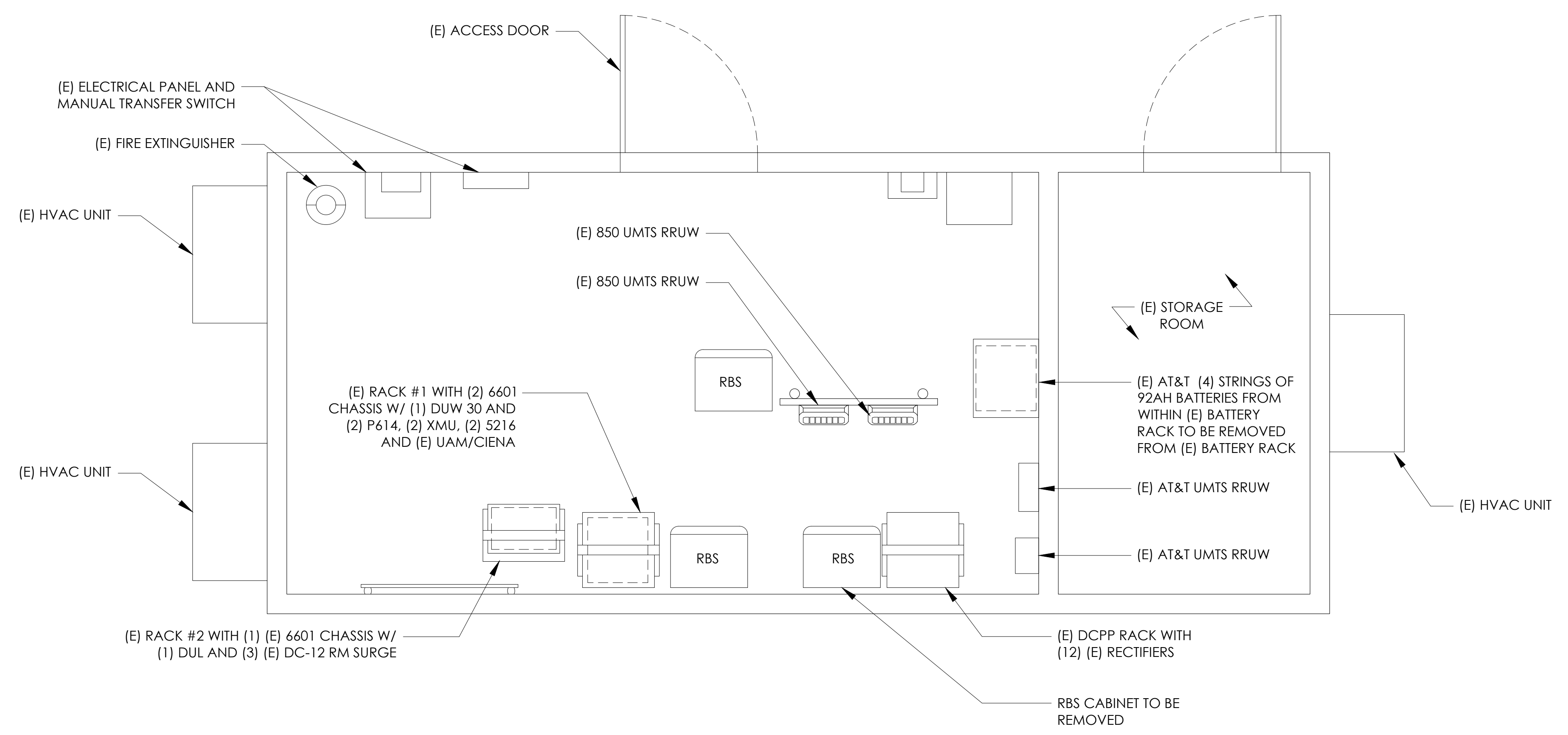
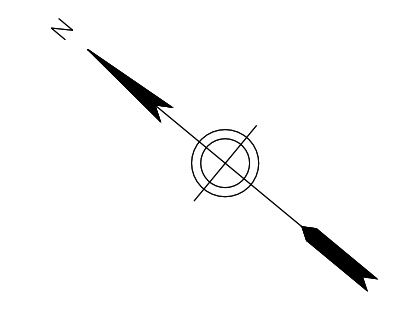
(E) OPEN LAND

SECTOR "C"  
@ 180° AZIMUTH

SECTOR "A"  
@ 70° AZIMUTH

(E) ACCESS ROAD

(E) OPEN LAND



1 EXISTING EQUIPMENT PLAN

24"x36" SCALE: 1/2" = 1'-0"  
11"x17" SCALE: 1/4" = 1'-0"

PREPARED FOR  
**AT&T**  
5001 EXECUTIVE PKWY,  
SAN RAMON CA 94583

Vendor:  
**JS INFRASTRUCTURE PARTNERS**  
2030 MAIN STREET, SUITE 200  
IRVINE, CA 92614  
P-050284

AT&T Site ID:  
**CCL00160**

REV	DATE	DESCRIPTION	INT.
1	03/01/21	EME REPORT	MM3
0	02/05/21	100% CD	JY/MM
A	12/07/20	90% CD	BH

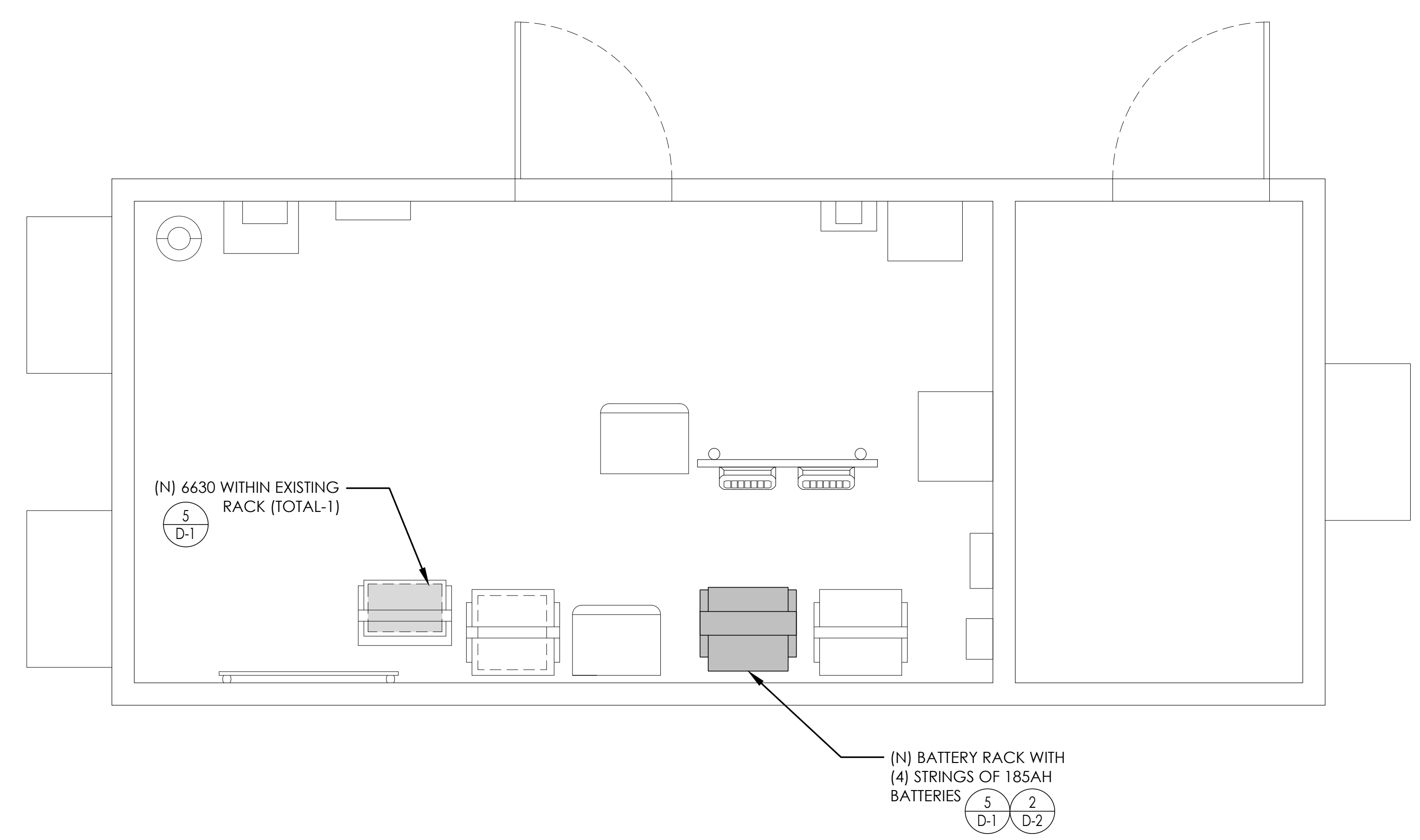
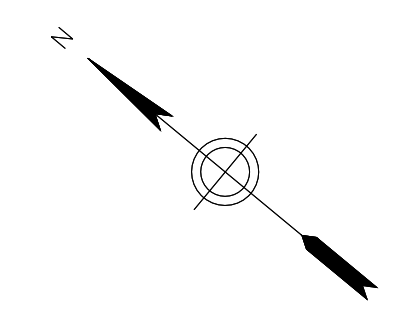
Licensor:  
  
SIGNED: 2021/03/01  
EXPIRES: 2021/03/31

It is a violation of law for any persons, unless they are acting under the direction of a licensed professional engineer, to alter this document

Issued For:  
**CCL00160**  
**CRYSTAL SPRINGS**  
VISTA POINT II  
SAN CARLOS, CA 94070  
A.P.N.: RIGHT-OF-WAY

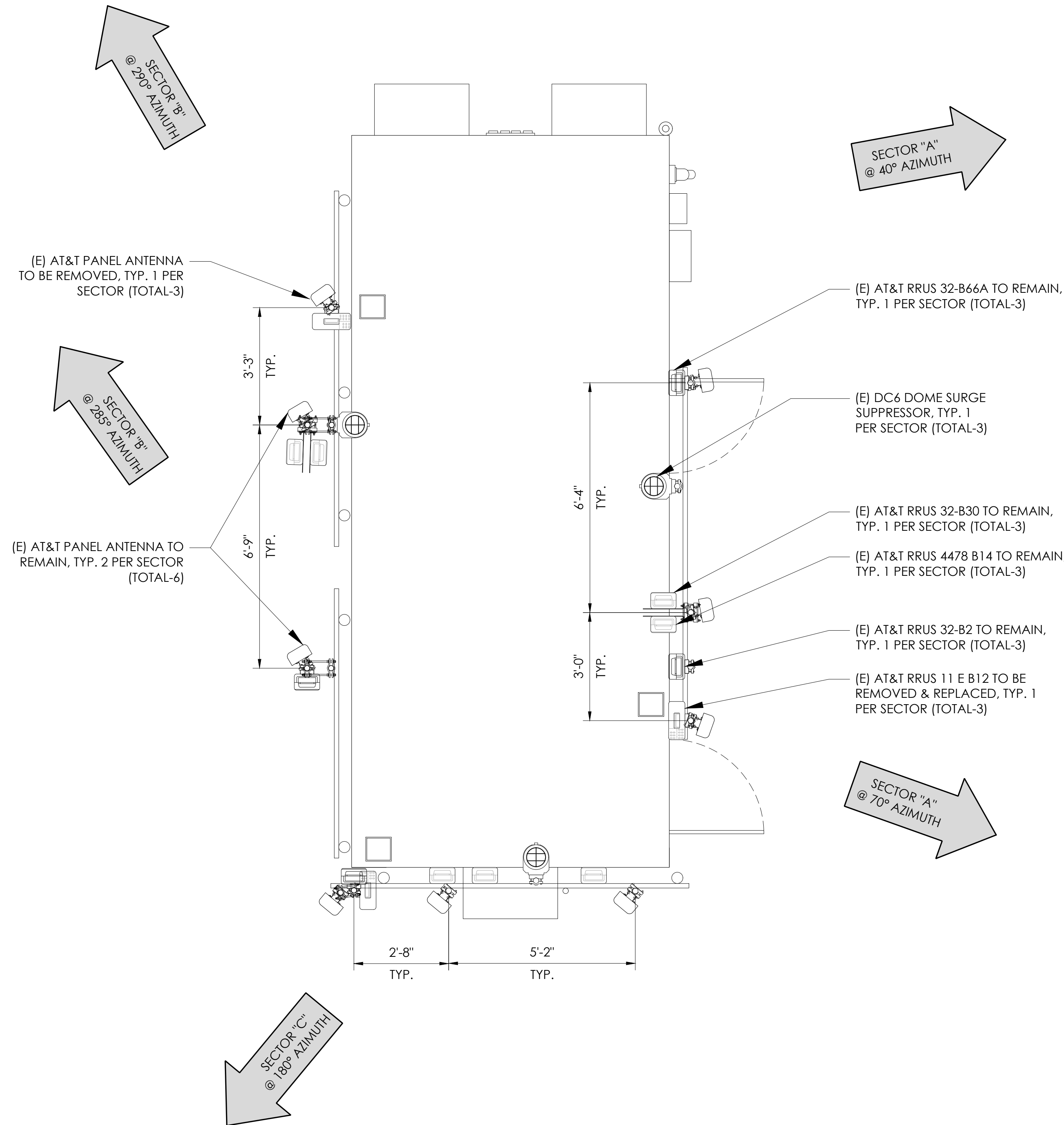
Sheet Title:  
**ENLARGED SITE PLAN & EQUIPMENT PLANS**

Sheet Number:  
**A-2**



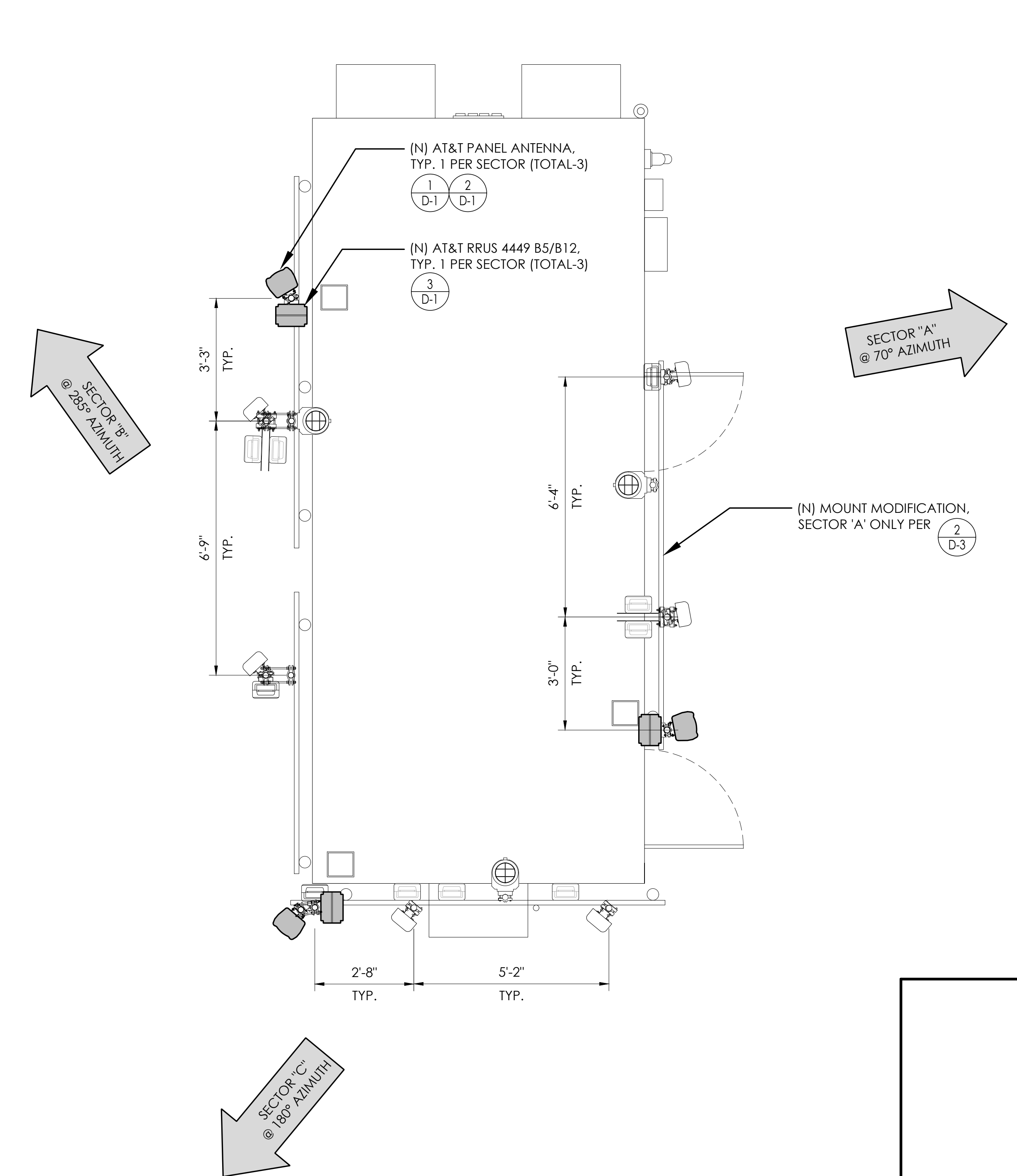
2 PROPOSED EQUIPMENT PLAN

24"x36" SCALE: 1/2" = 1'-0"  
11"x17" SCALE: 1/4" = 1'-0"



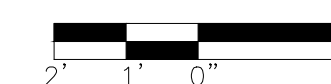
1 EXISTING ANTENNA PLAN

24"x36" SCALE: 3/8" = 1'-0"  
11"x17" SCALE: 3/16" = 1'-0"



2 PROPOSED ANTENNA PLAN

24"x36" SCALE: 3/8" = 1'-0"  
11"x17" SCALE: 3/16" = 1'-0"



PREPARED FOR



5001 EXECUTIVE PKWY,  
SAN RAMON CA 94583

Vendor:



2030 MAIN STREET, SUITE 200  
IRVINE, CA 92614

P-050284

AT&T Site ID:

**CCL00160**

REV	DATE	DESCRIPTION	INT.
1	03/01/21	EME REPORT	MM3
0	02/05/21	100% CD	JY/MM
A	12/07/20	90% CD	BH

Licenser:



It is a violation of law for any persons, unless they are acting under the direction of a licensed professional engineer, to alter this document

Issued For:

**CCL00160**

CRYSTAL SPRINGS

VISTA POINT II  
SAN CARLOS, CA 94070

A.P.N.: RIGHT-OF-WAY

Sheet Title:

**EXISTING & PROPOSED ANTENNA PLANS**

Sheet Number:

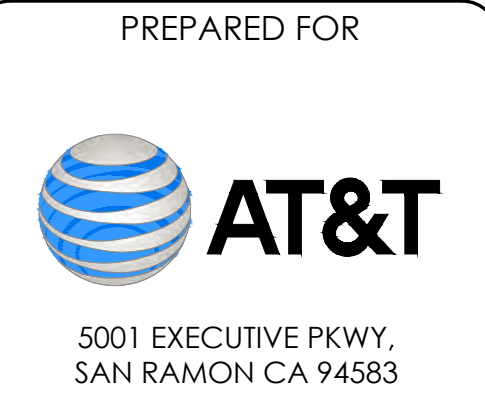
**A-3**



NOTE:  
(E) ANTENNA AZIMUTHS ARE ESTIMATED AND ARE TO BE VERIFIED BY RF.

NOTES TO CONTRACTOR:  
1. CONTRACTOR IS TO REFER TO AT&T'S MOST CURRENT RADIO FREQUENCY DATA SHEET (RFDS) PRIOR TO CONSTRUCTION.  
2. CABLE LENGTHS WERE DETERMINED BASED ON VISUAL INSPECTION DURING SITE-WALK. CONTRACTOR TO VERIFY ACTUAL LENGTH DURING PRE-CONSTRUCTION WALK.  
3. CONTRACTOR TO VERIFY PORTS HAVE SUFFICIENT ROOM.

Position	Antenna				RRU, TMA, Diplexer, Etc.				Additional Antenna Information				Line Information				
	Use Existing/ Swap/New	Type		Technology		Existing		Proposed		Azimuth		RAD Center		Coax Cables		Power/Fiber	
		Existing	Final	Existing	Final	Type	Location	Type	Location	Existing	Final	Existing	Final	Existing	Final	Existing	Final
<b>ALPHA</b>																	
1	SWAP	COMMSCOPE SBNHH-1D65B	QUINTEL QD6658-2	LTE 700 LTE 1900	LTE 700/5G 850 LTE 1900	RRUS-11 E B12 RRUS-32 B2	TOP TOP	RRUS-4449 B5/B12 RRUS-32 B2	TOP TOP	70	70	13.7'	13.7'	(6) 1/2" COAX CABLES  (6) 1/2" COAX CABLES  (6) DC POWER TRUNKS + (3) FIBER TRUNKS  (6) DC POWER TRUNKS + (3) FIBER TRUNKS			
2	USE EXISTING	COMMSCOPE NNHH-65B-R4	COMMSCOPE NNHH-65B-R4	LTE 700 LTE WCS	LTE FNET LTE WCS	RRUS-4478 B14 RRUS-32 B30	TOP TOP	RRUS-4478 B14 RRUS-32 B30	TOP TOP	40	70	13.7'	13.7'				
3	USE EXISTING	COMMSCOPE JAHH-65B-R3B-V3	COMMSCOPE JAHH-65B-R3B-V3	UMTS 850 LTE AWS	UMTS 850 LTE AWS	RRUW B5 RRUS-32 B66A	BOTTOM TOP	RRUW B5 RRUS-32 B66A	BOTTOM TOP	40	70	13.7'	13.7'				
<b>BETA</b>																	
1	SWAP	COMMSCOPE SBNHH-1D65B	QUINTEL QD6658-2	LTE 700 LTE 1900	LTE 700/5G 850 LTE 1900	RRUS-11 E B12 RRUS-32 B2	TOP TOP	RRUS-4449 B5/B12 RRUS-32 B2	TOP TOP	285	285	14'	14'	(6) 1/2" COAX CABLES  (6) 1/2" COAX CABLES  (6) DC POWER TRUNKS + (3) FIBER TRUNKS  (6) DC POWER TRUNKS + (3) FIBER TRUNKS			
2	USE EXISTING	COMMSCOPE NNHH-65B-R4	COMMSCOPE NNHH-65B-R4	LTE 700 LTE WCS	LTE FNET LTE WCS	RRUS-4478 B14 RRUS-32 B30	TOP TOP	RRUS-4478 B14 RRUS-32 B30	TOP TOP	290	285	14'	14'				
3	USE EXISTING	COMMSCOPE JAHH-65B-R3B-V3	COMMSCOPE JAHH-65B-R3B-V3	UMTS 850 LTE AWS	UMTS 850 LTE AWS	RRUW B5 RRUS-32 B66A	BOTTOM TOP	RRUW B5 RRUS-32 B66A	BOTTOM TOP	290	285	14'	14'				
<b>GAMMA</b>																	
1	SWAP	COMMSCOPE SBNHH-1D65B	QUINTEL QD6658-2	LTE 700 LTE 1900	LTE 700/5G 850 LTE 1900	RRUS-11 E B12 RRUS-32 B2	TOP TOP	RRUS-4449 B5/B12 RRUS-32 B2	TOP TOP	180	180	12'	12'	(6) 1/2" COAX CABLES  (6) 1/2" COAX CABLES  (6) DC POWER TRUNKS + (3) FIBER TRUNKS  (6) DC POWER TRUNKS + (3) FIBER TRUNKS			
2	USE EXISTING	COMMSCOPE NNHH-65B-R4	COMMSCOPE NNHH-65B-R4	LTE 700 LTE WCS	LTE FNET LTE WCS	RRUS-4478 B14 RRUS-32 B30	TOP TOP	RRUS-4478 B14 RRUS-32 B30	TOP TOP	180	180	12'	12'				
3	USE EXISTING	COMMSCOPE JAHH-65B-R3B-V3	COMMSCOPE JAHH-65B-R3B-V3	UMTS 850 LTE AWS	UMTS 850 LTE AWS	RRUW B5 RRUS-32 B66A	BOTTOM TOP	RRUW B5 RRUS-32 B66A	BOTTOM TOP	180	180	12'	12'				



Vendor:  
**INFRASTRUCTURE PARTNERS**  
2030 MAIN STREET, SUITE 200  
IRVINE, CA 92614  
P-050284

AT&T Site ID:  
**CCL00160**

1	03/01/21	EME REPORT	MM3
0	02/05/21	100% CD	JY/MM
A	12/07/20	90% CD	BH
REV	DATE	DESCRIPTION	INT.



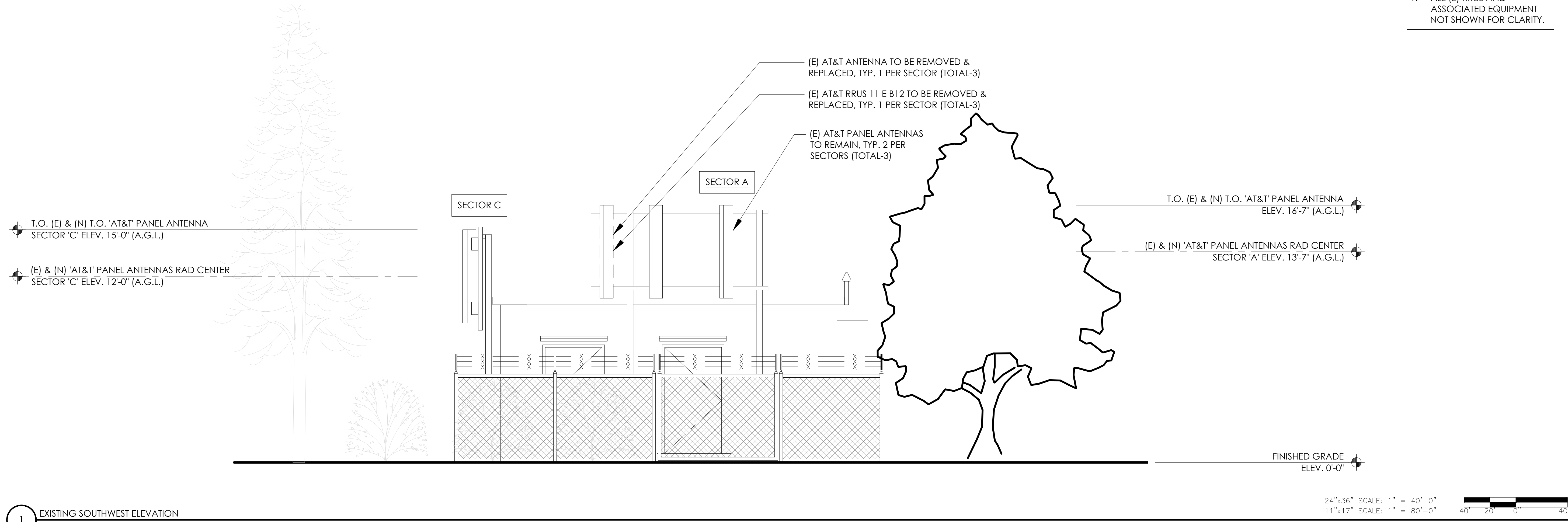
It is a violation of law for any persons, unless they are acting under the direction of a licensed professional engineer, to alter this document

Issued For:  
**CCL00160**  
**CRYSTAL SPRINGS**  
VISTA POINT II  
SAN CARLOS, CA 94070  
A.P.N.: RIGHT-OF-WAY

Sheet Title:  
**PROPOSED RF SCHEDULE**

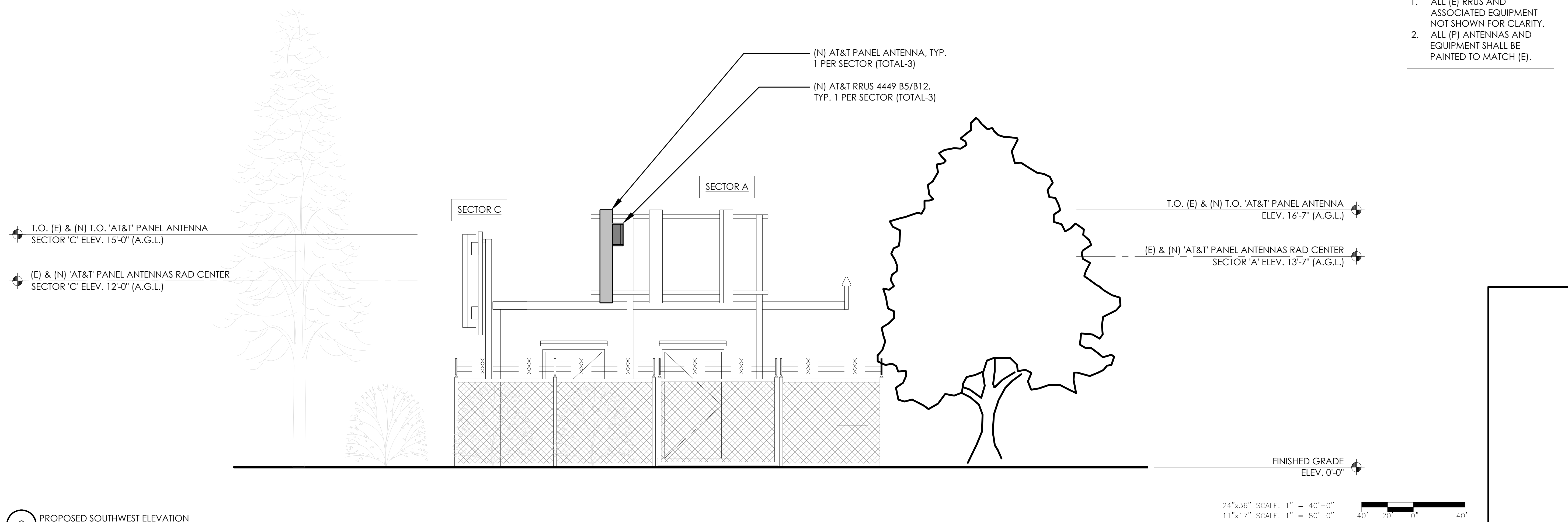
Sheet Number:  
**A-3.1**

NOTE:  
1. ALL (E) RRUS AND ASSOCIATED EQUIPMENT NOT SHOWN FOR CLARITY.



1 EXISTING SOUTHWEST ELEVATION

NOTE:  
1. ALL (E) RRUS AND ASSOCIATED EQUIPMENT NOT SHOWN FOR CLARITY.  
2. ALL (P) ANTENNAS AND EQUIPMENT SHALL BE PAINTED TO MATCH (E).



2 PROPOSED SOUTHWEST ELEVATION

PREPARED FOR  
**AT&T**  
5001 EXECUTIVE PKWY,  
SAN RAMON CA 94583

Vendor:  
**INFRASTRUCTURE PARTNERS**  
2030 MAIN STREET, SUITE 200  
IRVINE, CA 92614  
P-050284

AT&T Site ID:  
**CCL00160**

1	03/01/21	EME REPORT	MM3
0	02/05/21	100% CD	JY/MM
A	12/07/20	90% CD	BH
REV	DATE	DESCRIPTION	INT.

Licenser:  
  
SIGNED: 2021/03/31  
EXPIRES: 2021/03/31

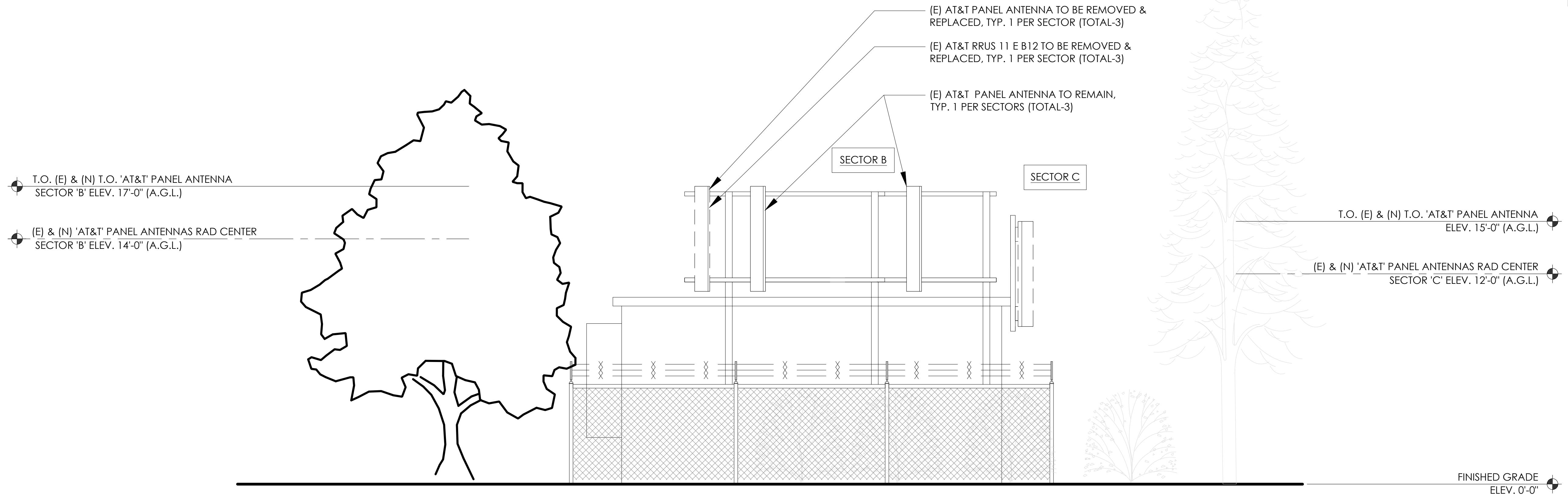
It is a violation of law for any persons, unless they are acting under the direction of a licensed professional engineer, to alter this document

Issued For:  
**CCL00160**  
**CRYSTAL SPRINGS**  
VISTA POINT II  
SAN CARLOS, CA 94070  
A.P.N.: RIGHT-OF-WAY

Sheet Title:  
**SOUTHWEST ELEVATIONS**

Sheet Number:  
**A-4**

NOTE:  
1. ALL (E) RRUS AND ASSOCIATED EQUIPMENT NOT SHOWN FOR CLARITY.



1 EXISTING NORTHEAST ELEVATION

24"x36" SCALE: 1" = 40'-0"  
11"x17" SCALE: 1" = 80'-0"

PREPARED FOR  
**AT&T**  
5001 EXECUTIVE PKWY,  
SAN RAMON CA 94583

Vendor:  
**JS INFRASTRUCTURE PARTNERS**  
2030 MAIN STREET, SUITE 200  
IRVINE, CA 92614  
P-050284

AT&T Site ID:  
**CCL00160**

REV	DATE	DESCRIPTION	INT.
1	03/01/21	EME REPORT	MM3
0	02/05/21	100% CD	JY/MM
A	12/07/20	90% CD	BH

Licensor:  
  
SIGNED: 2021/03/01  
EXPIRES: 2021/03/31

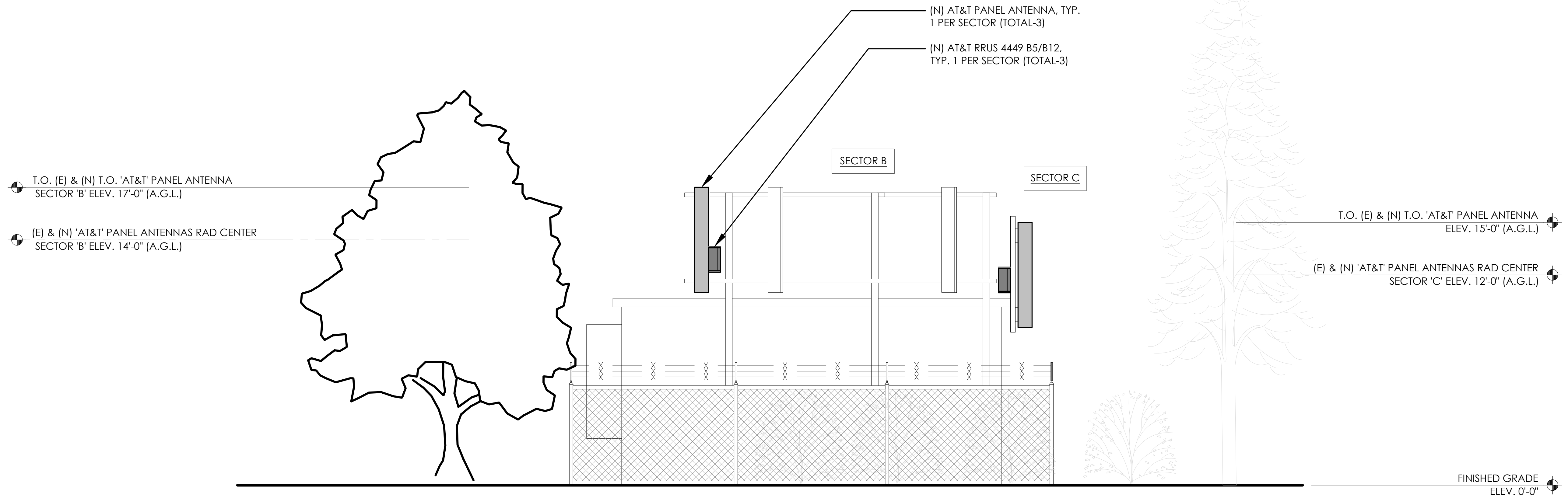
It is a violation of law for any persons, unless they are acting under the direction of a licensed professional engineer, to alter this document

Issued For:  
**CCL00160**  
**CRYSTAL SPRINGS**  
VISTA POINT II  
SAN CARLOS, CA 94070  
A.P.N.: RIGHT-OF-WAY

Sheet Title:  
**NORTHEAST ELEVATIONS**

Sheet Number:  
**A-5**

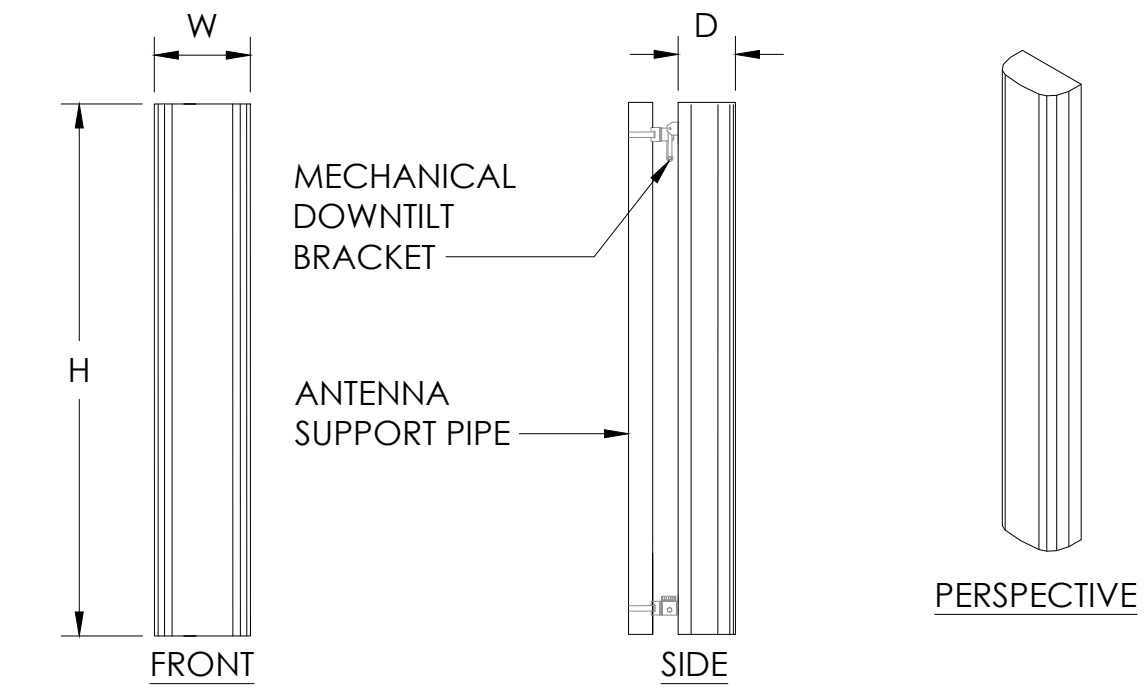
NOTE:  
1. ALL (E) RRUS AND ASSOCIATED EQUIPMENT NOT SHOWN FOR CLARITY.  
2. ALL (P) ANTENNAS AND EQUIPMENT SHALL BE PAINTED TO MATCH (E).



2 PROPOSED NORTHEAST ELEVATION

24"x36" SCALE: 1" = 40'-0"  
11"x17" SCALE: 1" = 80'-0"

SPECIFICATIONS  
 MFG / MODEL / PORT: QUINTEL / QD6658-2 / OCTO  
 DIMENSIONS: 72" H X 18.1" W X 9.6" D  
 WEIGHT: 90 LBS (W/O MOUNTING KIT)



2 ANTENNA SPECIFICATIONS  
 N.T.S.

PREPARED FOR  
  
 5001 EXECUTIVE PKWY,  
 SAN RAMON CA 94583

Vendor:  
  
 2030 MAIN STREET, SUITE 200  
 IRVINE, CA 92614  
 P-050284

AT&T Site ID:  
**CCL00160**

1	03/01/21	EME REPORT	MM3
0	02/05/21	100% CD	JY/MM
A	12/07/20	90% CD	BH
REV	DATE	DESCRIPTION	INT.

Licenser:

It is a violation of law for any persons, unless they are acting under the direction of a licensed professional engineer, to alter this document

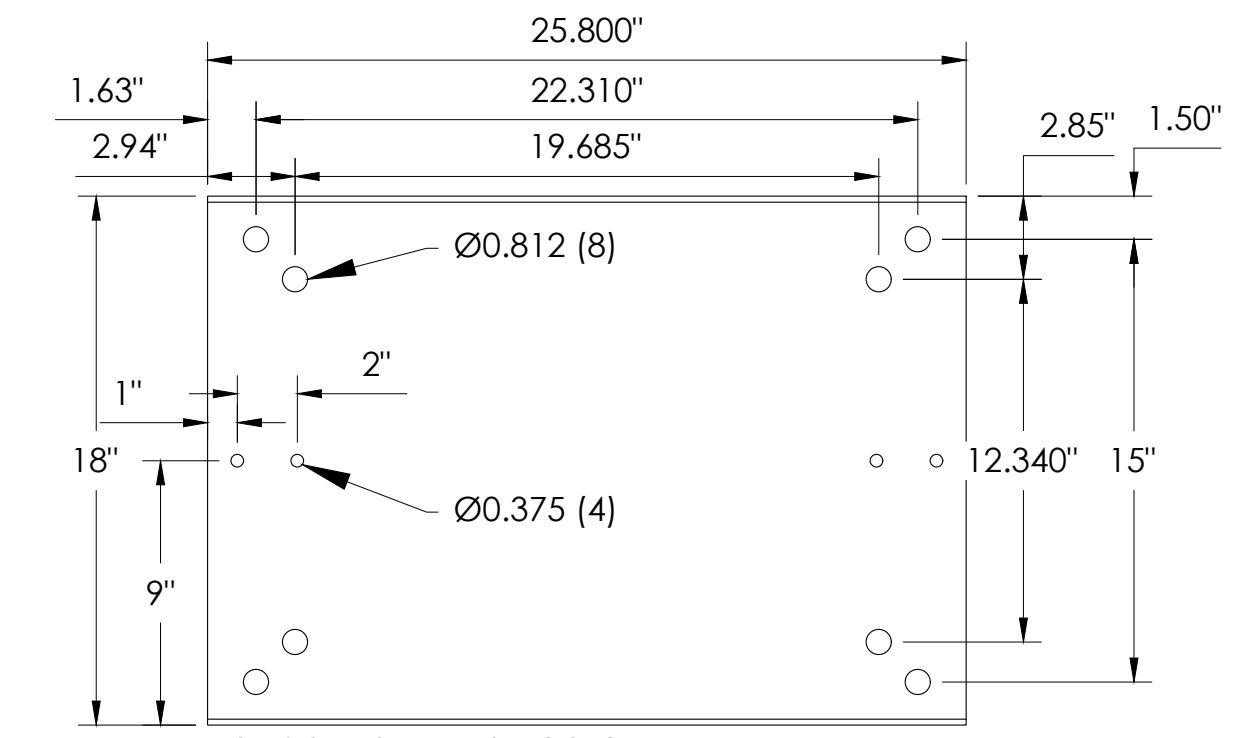
Issued For:  
**CCL00160**  
**CRYSTAL SPRINGS**  
 VISTA POINT II  
 SAN CARLOS, CA 94070  
 A.P.N.: RIGHT-OF-WAY

Sheet Title:  
**DETAILS**

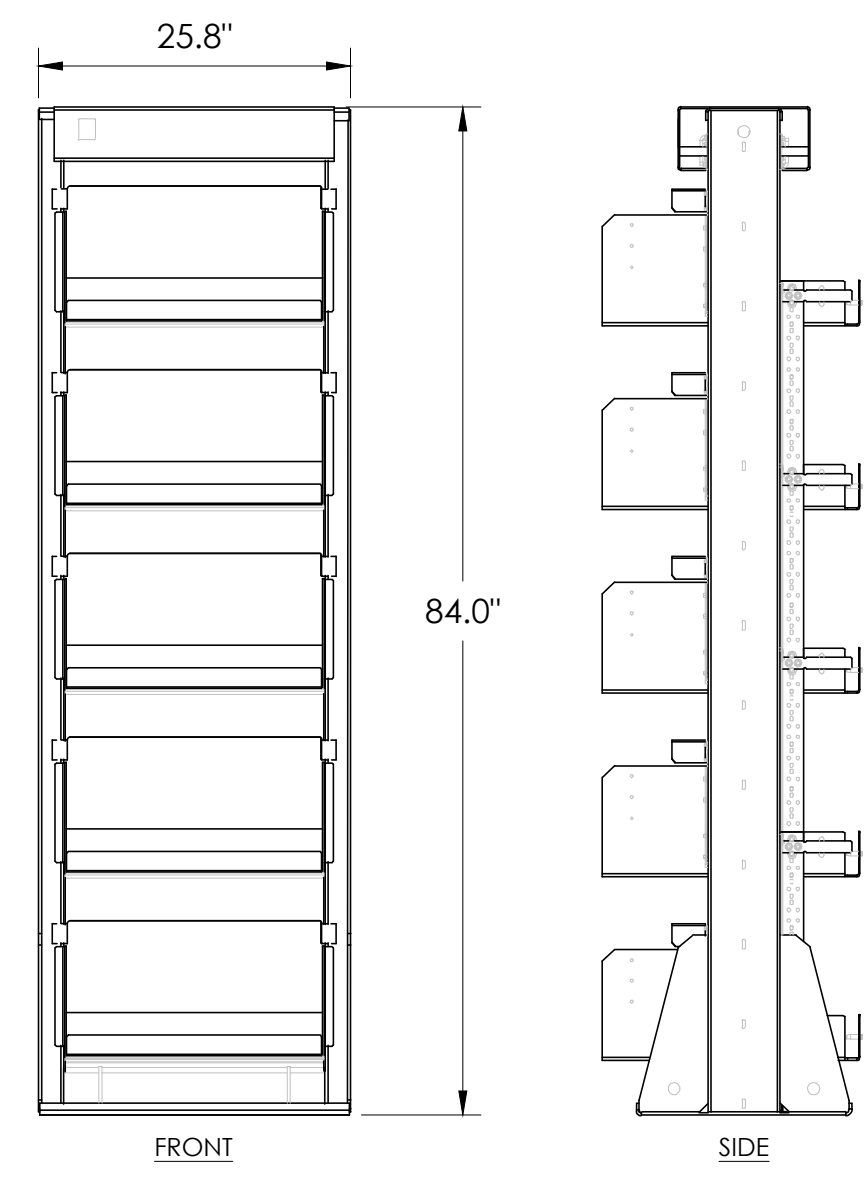
Sheet Number:  
**D-1**

EMERSON NETSURE VRLA BATTERY RACK			
ITEM	WEIGHT/UNIT (LBS)	QTY	TOTAL WEIGHT (LBS)
EMPTY RACK	600	1	600
Marathon M12V155FT Battery	119	0	0
Marathon M12V180FT Battery	133	0	0
GS PYL12V160FT Battery	116.2	0	0
GS PYL12V185FT Battery	133.8	12	1605.6
<b>TOTAL =</b>			<b>2205.6 LBS</b>

EQUIPMENT SPECIFICATIONS  
 MANUFACTURER: EMERSON/VERTIV  
 ATM NUMBER: NEQ.15312  
 EMERSON NUMBER: 588820200Z001  
 H / W / D: 84" / 25.5" / 24.4"  
 SAFETY COMPLIANCE: UL LISTED AND SEISMIC ZONE 4 COMPLIANT



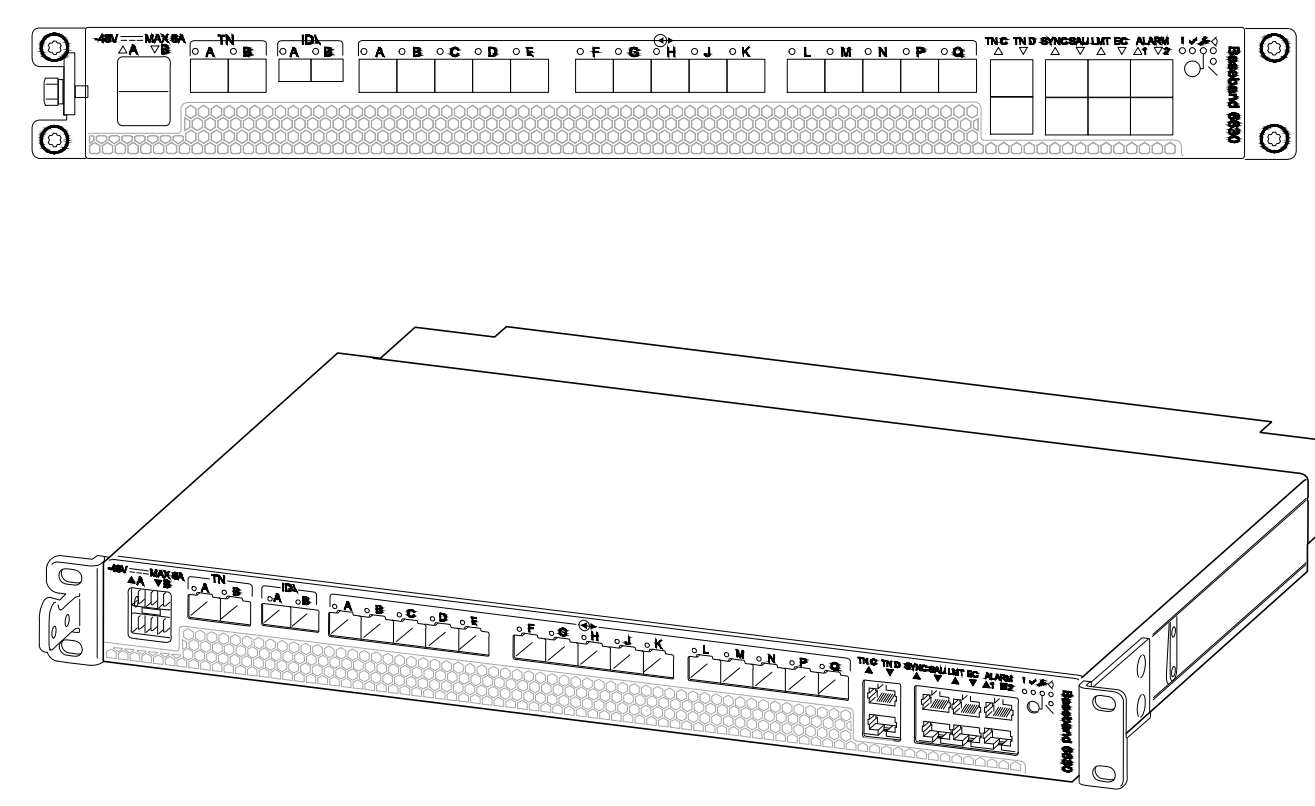
NOTE: USE OUTER BOLT PATTERN FOR ANCHORAGE  
 BOTTOM



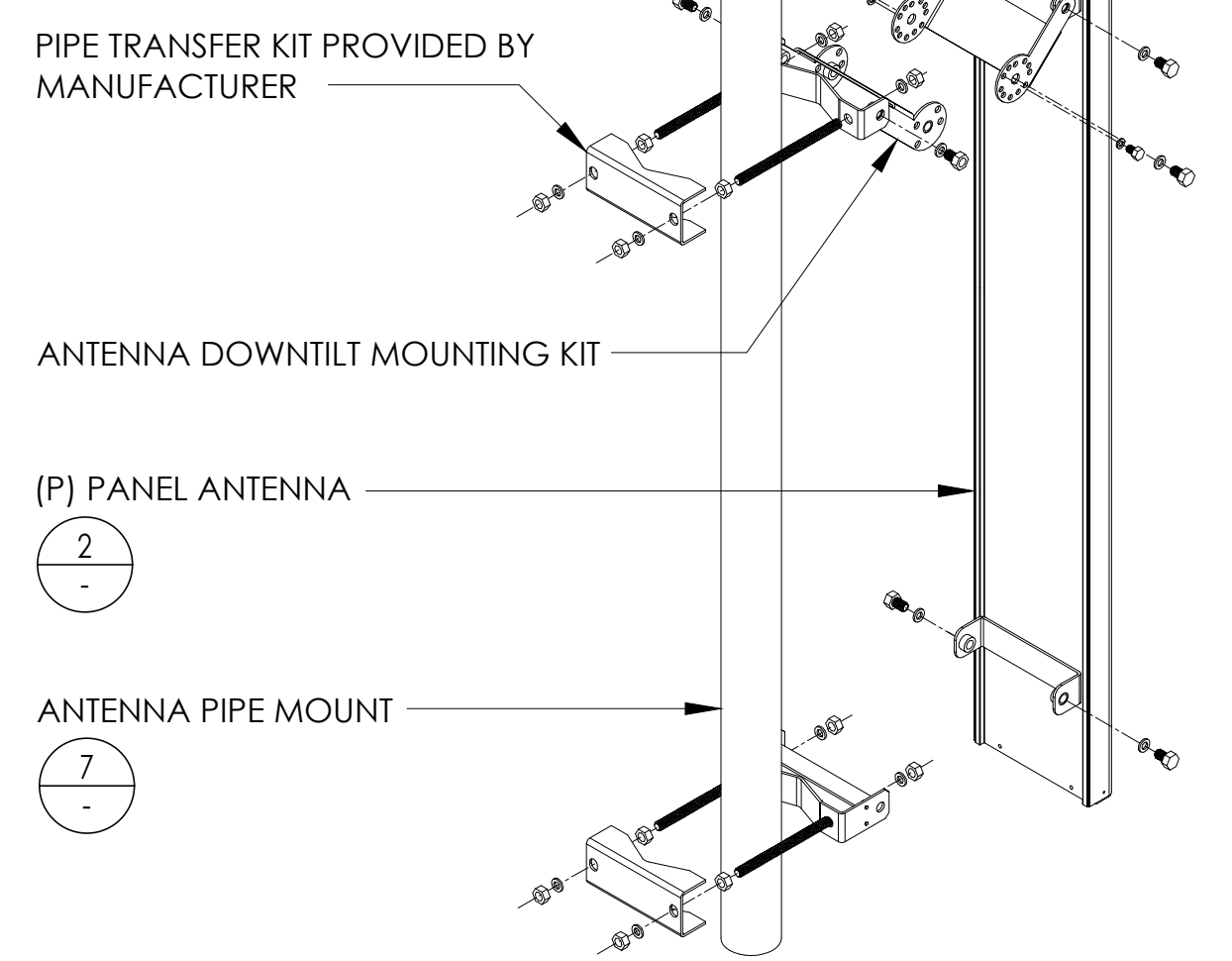
5 EMERSON BATTERY RACK  
 N.T.S.

NOTE:  
 1. USE MANUFACTURER SUPPLIED MOUNTING HARDWARE.

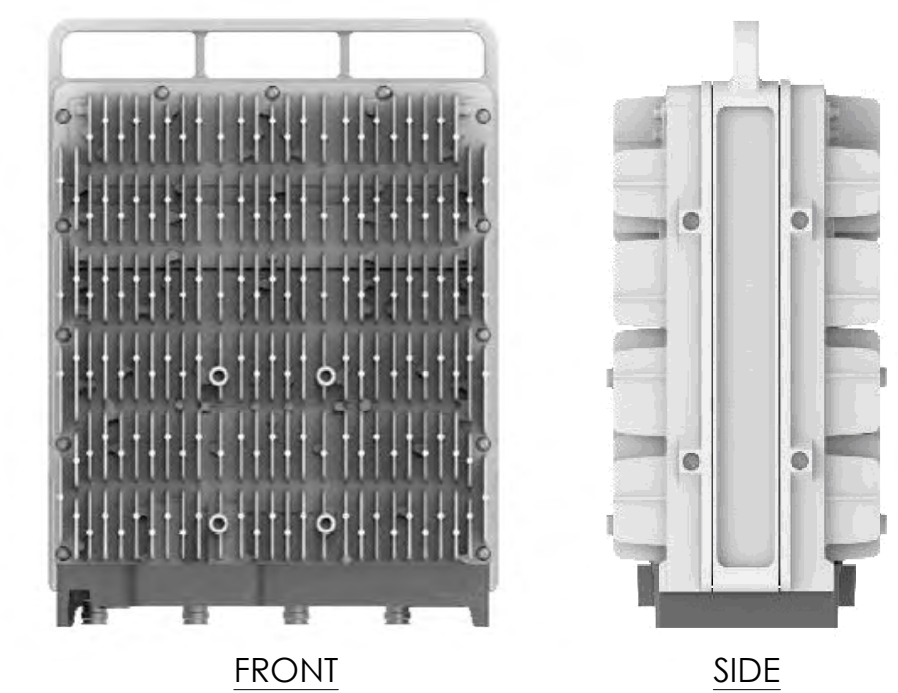
EQUIPMENT SPECIFICATIONS  
 MFG: ERICSSON  
 MODEL: BASEBAND 6630  
 HEIGHT: 1.75 IN  
 LENGTH: 13.86 IN  
 WIDTH: 19 IN  
 WEIGHT: 14.33 LBS



4 BASEBAND 6630  
 N.T.S.

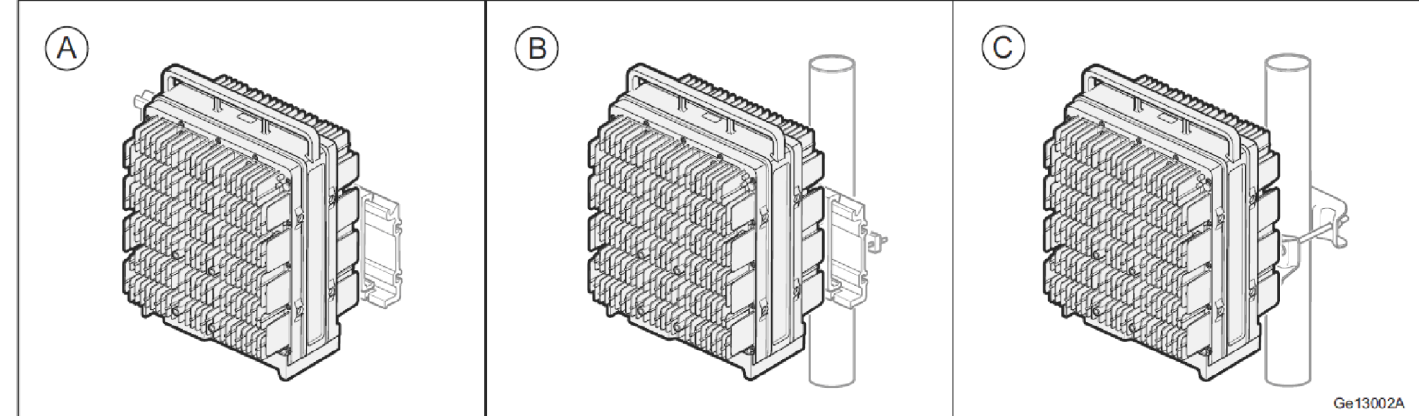


1 ANTENNA MOUNTING DETAIL  
 N.T.S.



SPECIFICATIONS  
 MFG: ERICSSON  
 MODEL: RRUS 4449 B5/B12  
 HEIGHT: 14.96 IN  
 WIDTH: 13.19 IN  
 DEPTH: 10.43 IN  
 WEIGHT: 73 LBS

MOUNTING KIT OPTIONS:



3 RRUS 4449 SPECIFICATION  
 N.T.S.

This adjustable wall/ceiling brace provides a means of securing an equipment rack or auxiliary frame to meet earthquake safety codes.

- Material is 2" x 1/4" steel finished with Gold Chem Film over zinc plating
- Kit consists of:
  - 4 each brackets (make 2 swivel brackets)
  - 2 each 1/2-13 x 1 1/4" hex bolts
  - 2 each 1/2-13 hex nuts
  - 2 each 1/2" split lock washers

**Installation will require (not included):**

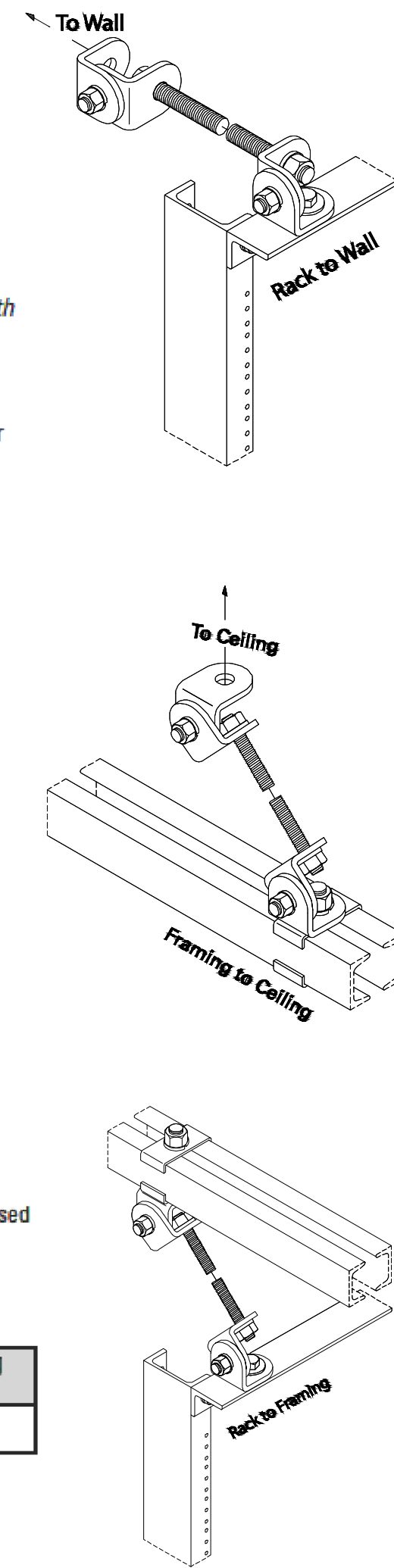
- 1 each 5/8-11 threaded rod of appropriate length. (See P/N 11440.) Rod must be trimmed to proper length during installation
- 2 each 5/8-11 hex nuts
- 2 each 5/8 flat Type A washer, wide
- Clip kit and hardware for attachment to channel or bar

**Installation may also require (not included):**

- For concrete ceiling:**
  - 1 each 5/8-11 concrete anchor (P/N 06001-001)
  - 1 each 5/8-11 x 3" stud (P/N 08001-002)
  - 2 each 5/8-11 hex nuts (P/N 20142-111)
  - 1 each 5/8" split lock washer (P/N 04003-001)
  - 1 each 5/8" flat, washer, wide, Type A (P/N 20283-022)
- For rack:**
  - 1 each 5/8-11 x 1 1/4" hex cap screw (P/N 02004-006)
  - 1 each 5/8-11 hex nut (P/N 20142-111)
  - 1 each 5/8" split lock washer (P/N 04003-001)
- For auxiliary frame or grid:**
  - 1 each Grid Clamp Kit (P/N 10609)
  - 1 each 5/8-11 x 3 1/4" hex screw cap (P/N 02004-007)
  - 1 each 5/8-11 hex nut (P/N 20142-111)
  - 1 each 5/8" split lock washer (P/N 04003-001)
- For plywood backboard:**
  - 1 each 5/8" x 2" hex lag screw (P/N 02006-022)
  - 1 each 5/8" split lock washer (P/N 04003-001)

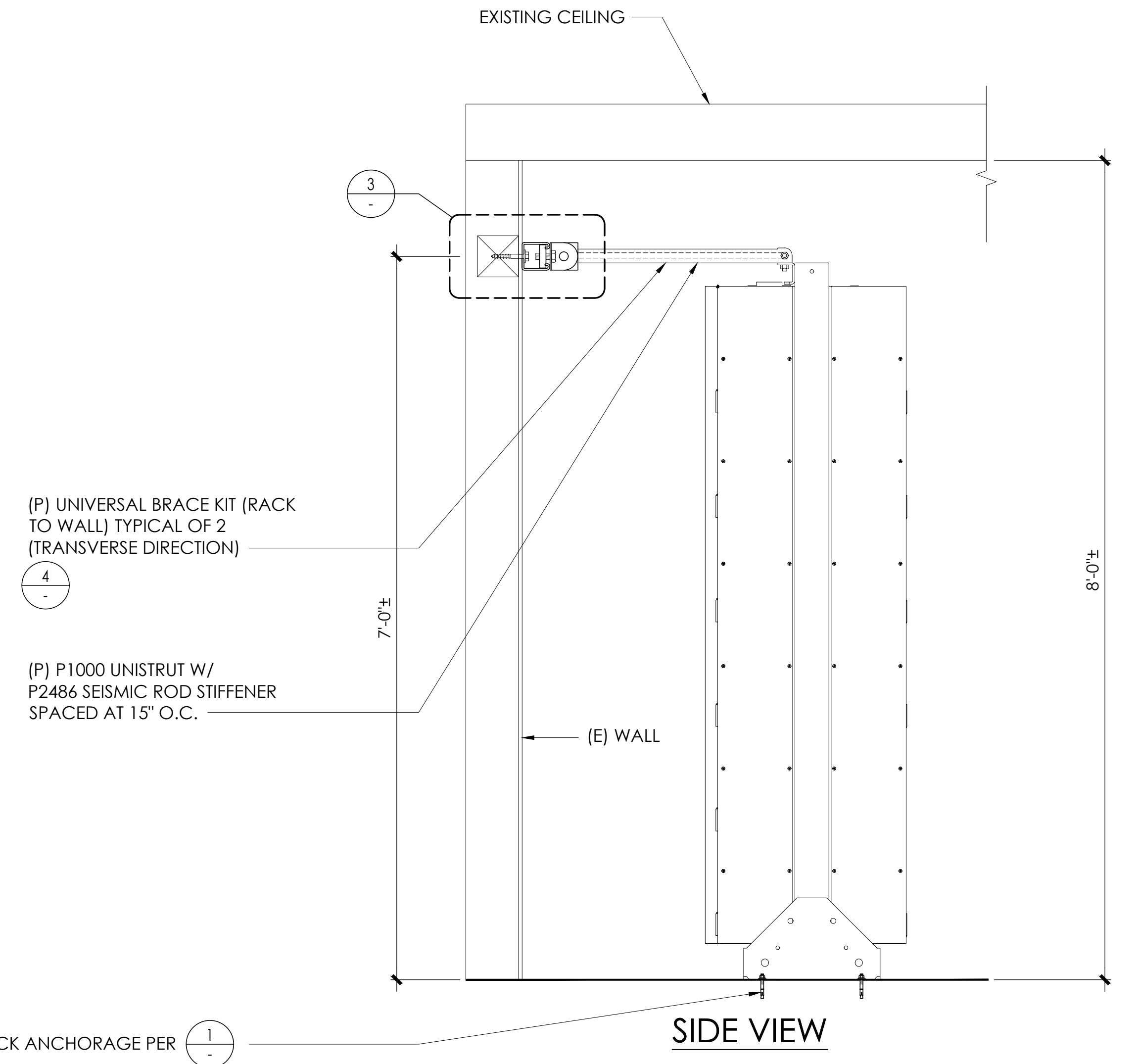
NOTE: Seismic installation requirements should be approved by a licensed structural engineer.

Part Number	Description	Shipping Weight
10562-001	Universal Earthquake Bracing Kit	3 lb

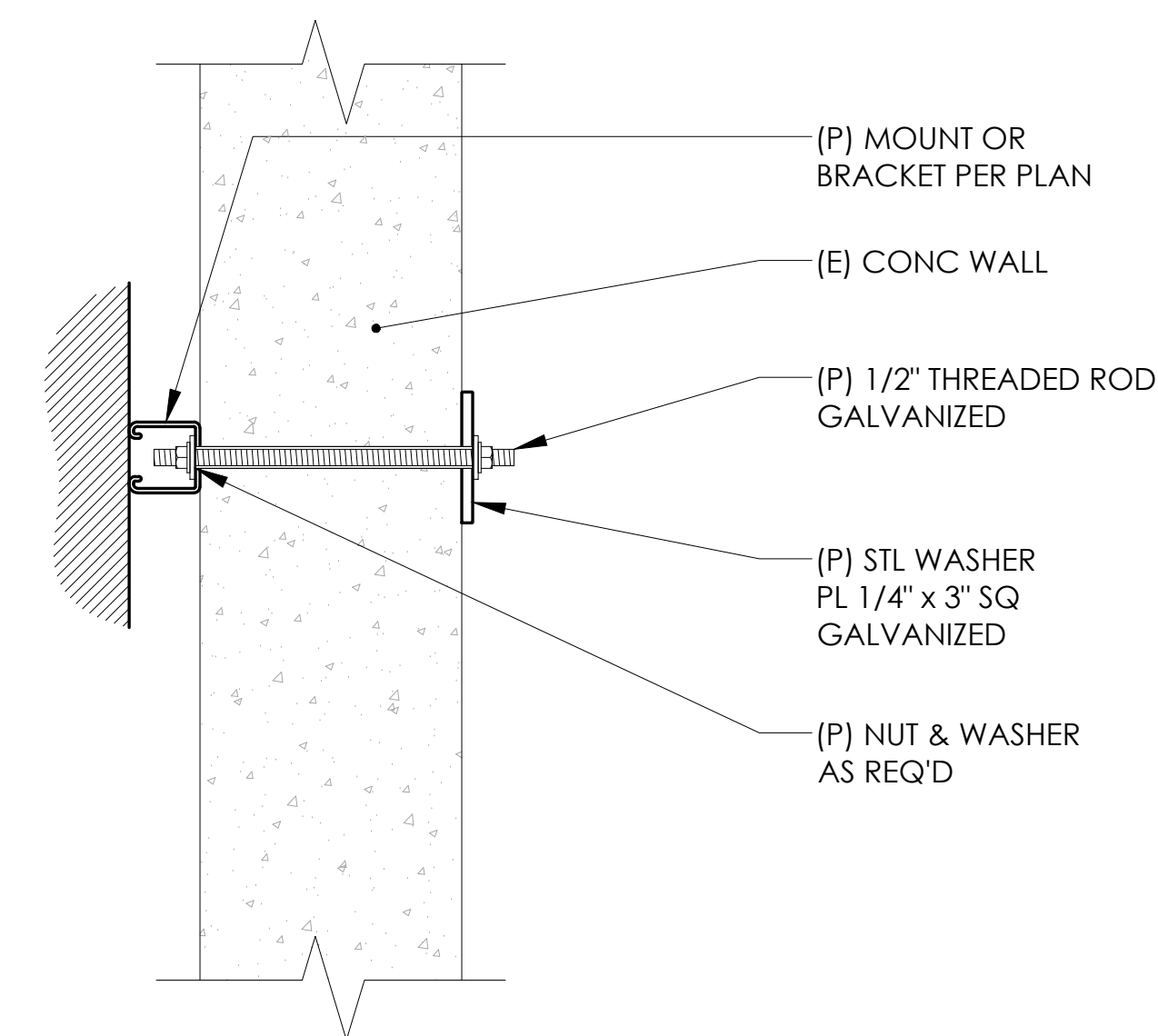


4 SEISMIC BRACING SPECIFICATION  
N.T.S.

NOTE: SEISMIC BRACING IS REQUIRED TO EITHER THE WALL OR CEILING. BOTH ARE NOT REQUIRED, BUT SHOWN AS TWO OPTIONS FOR CONTRACTOR

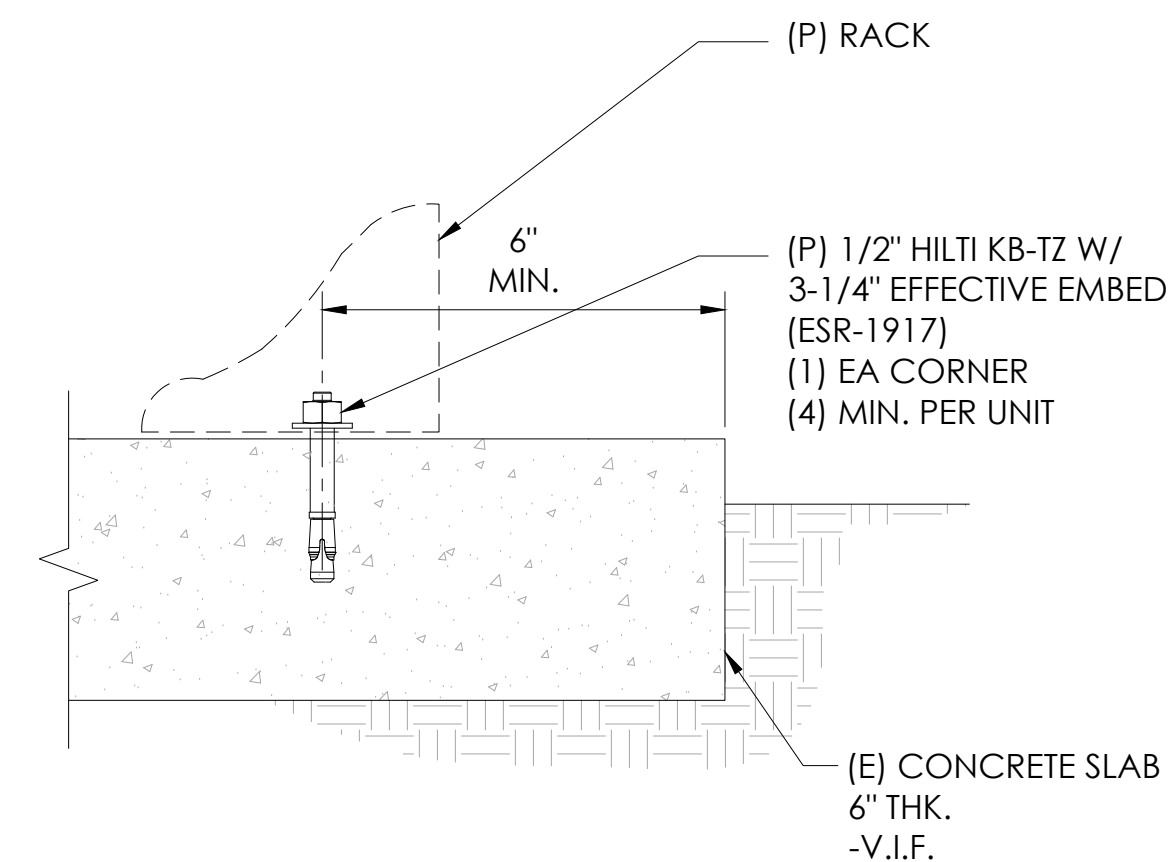


2 SEISMIC BRACING DETAIL  
N.T.S.



3 THRU ROD CONCRETE WALL ANCHOR  
N.T.S.

SPECIAL INSPECTION REQUIRED



1 EQUIPMENT CABINET MOUNTING DETAIL  
N.T.S.

PREPARED FOR



Vendor:



AT&T Site ID:

**CCL00160**

REV	DATE	DESCRIPTION	INT.
1	03/01/21	EME REPORT	MM3
0	02/05/21	100% CD	JY/MM
A	12/07/20	90% CD	BH

Licenser:



It is a violation of law for any persons, unless they are acting under the direction of a licensed professional engineer, to alter this document

Issued For:

**CCL00160**

CRYSTAL SPRINGS

VISTA POINT II  
SAN CARLOS, CA 94070

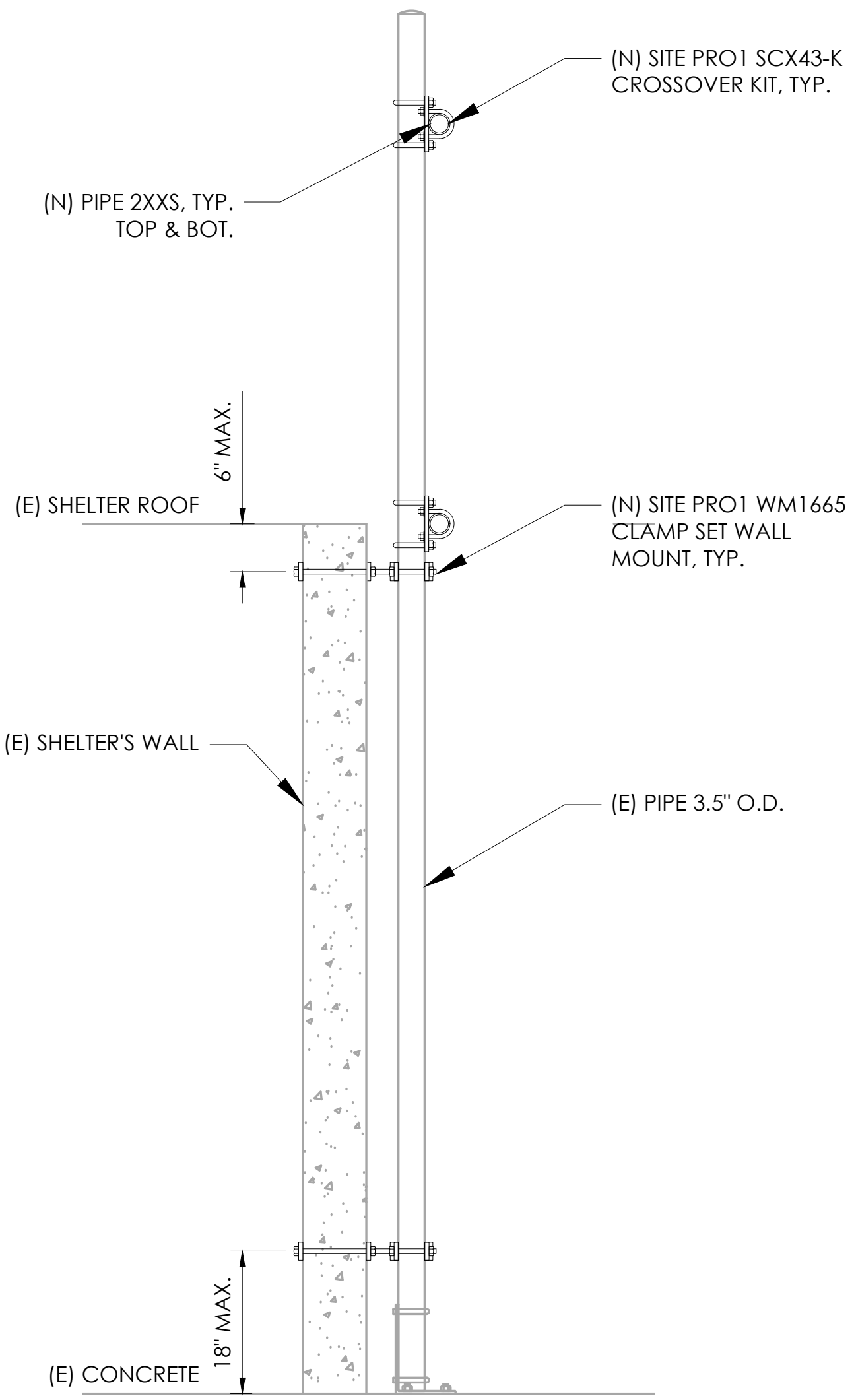
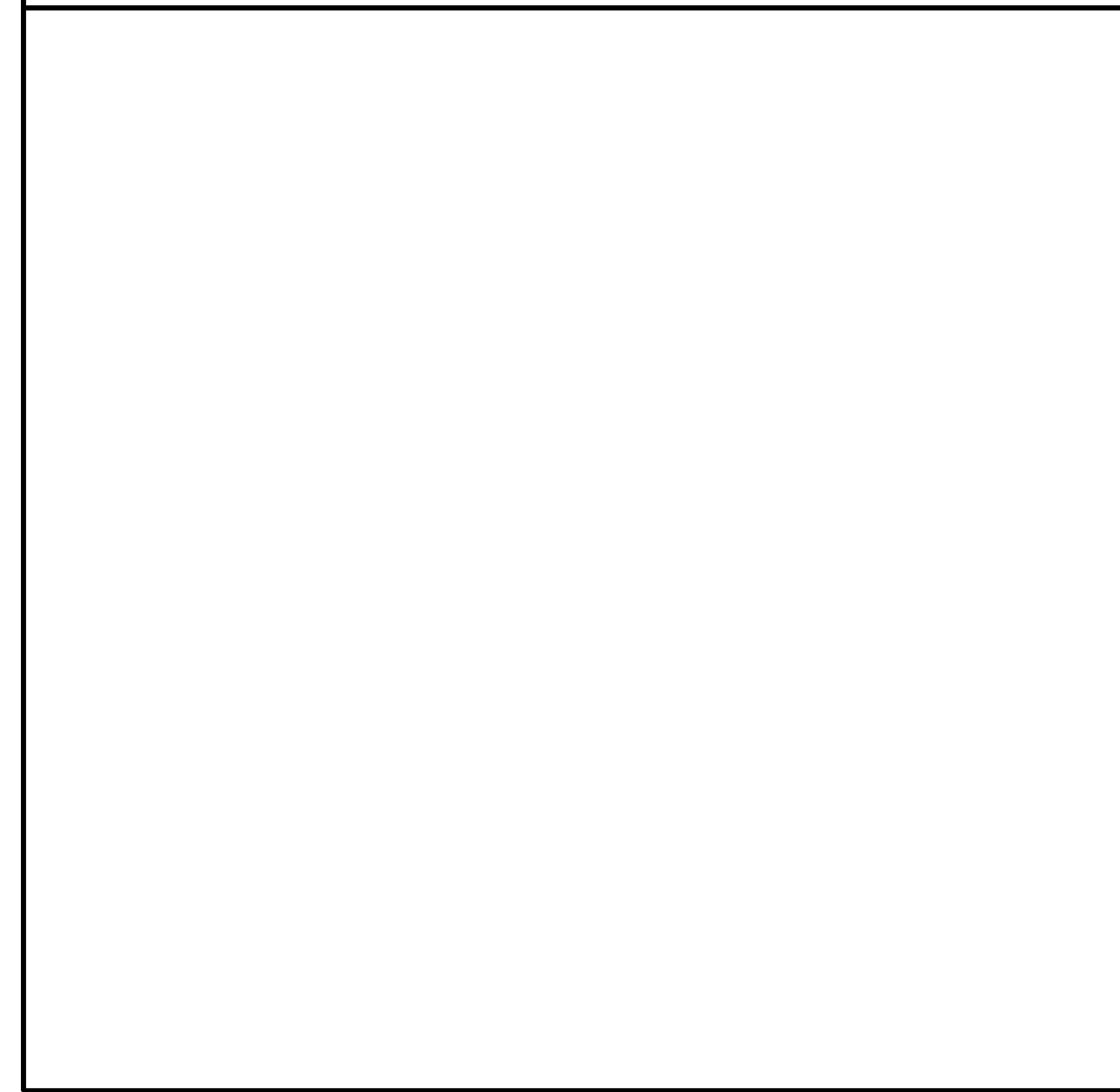
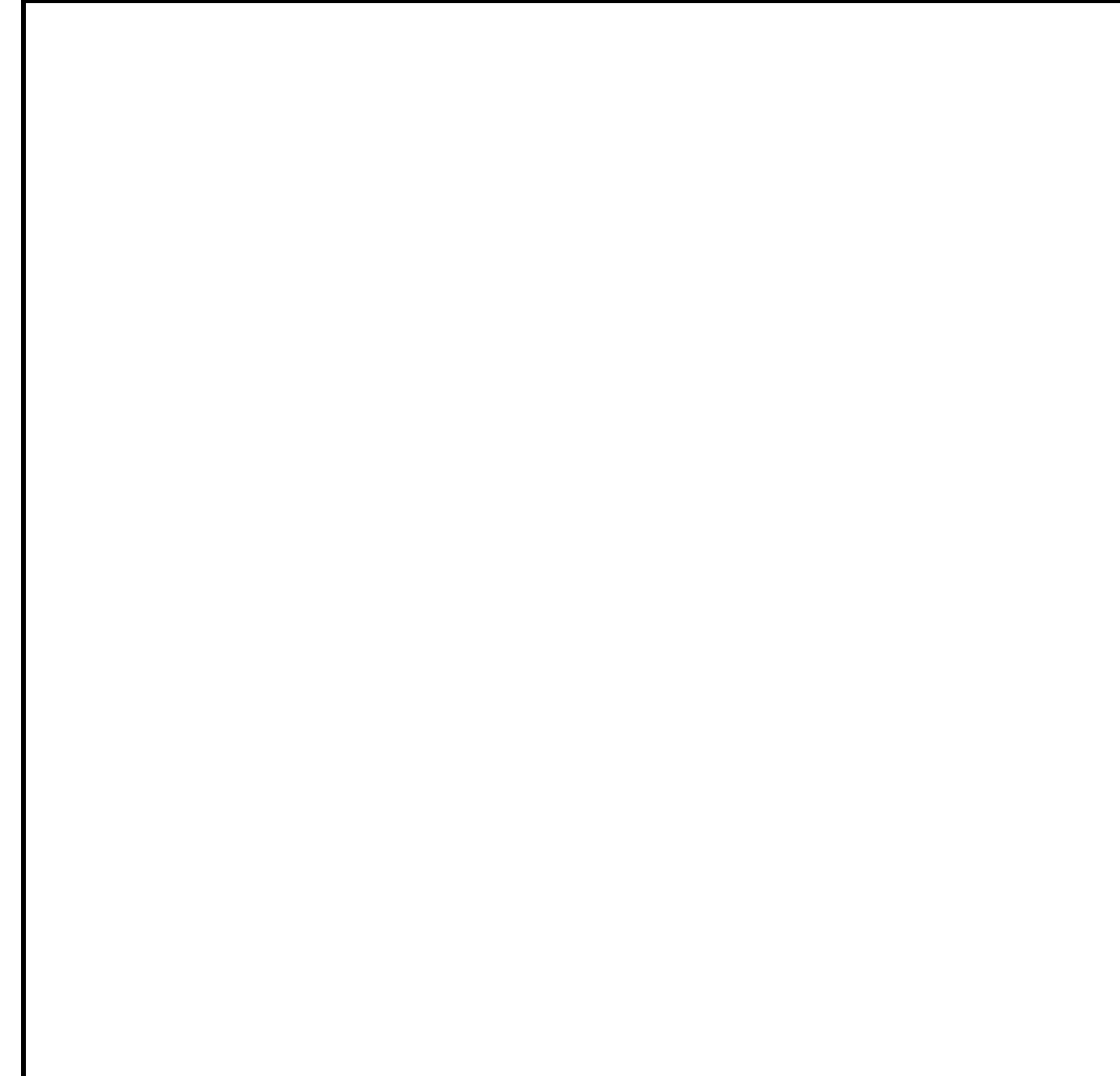
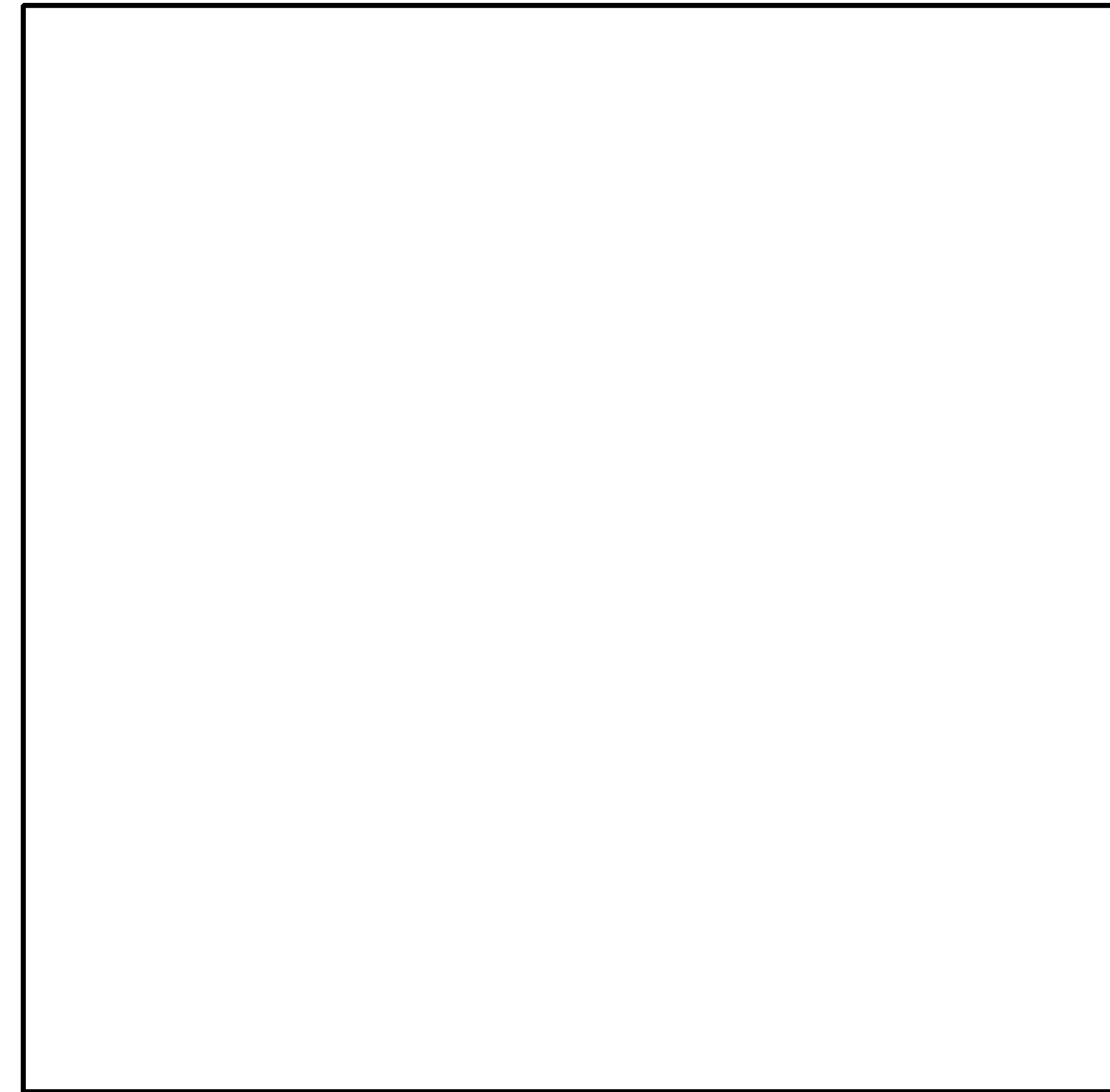
A.P.N.: RIGHT-OF-WAY

Sheet Title:

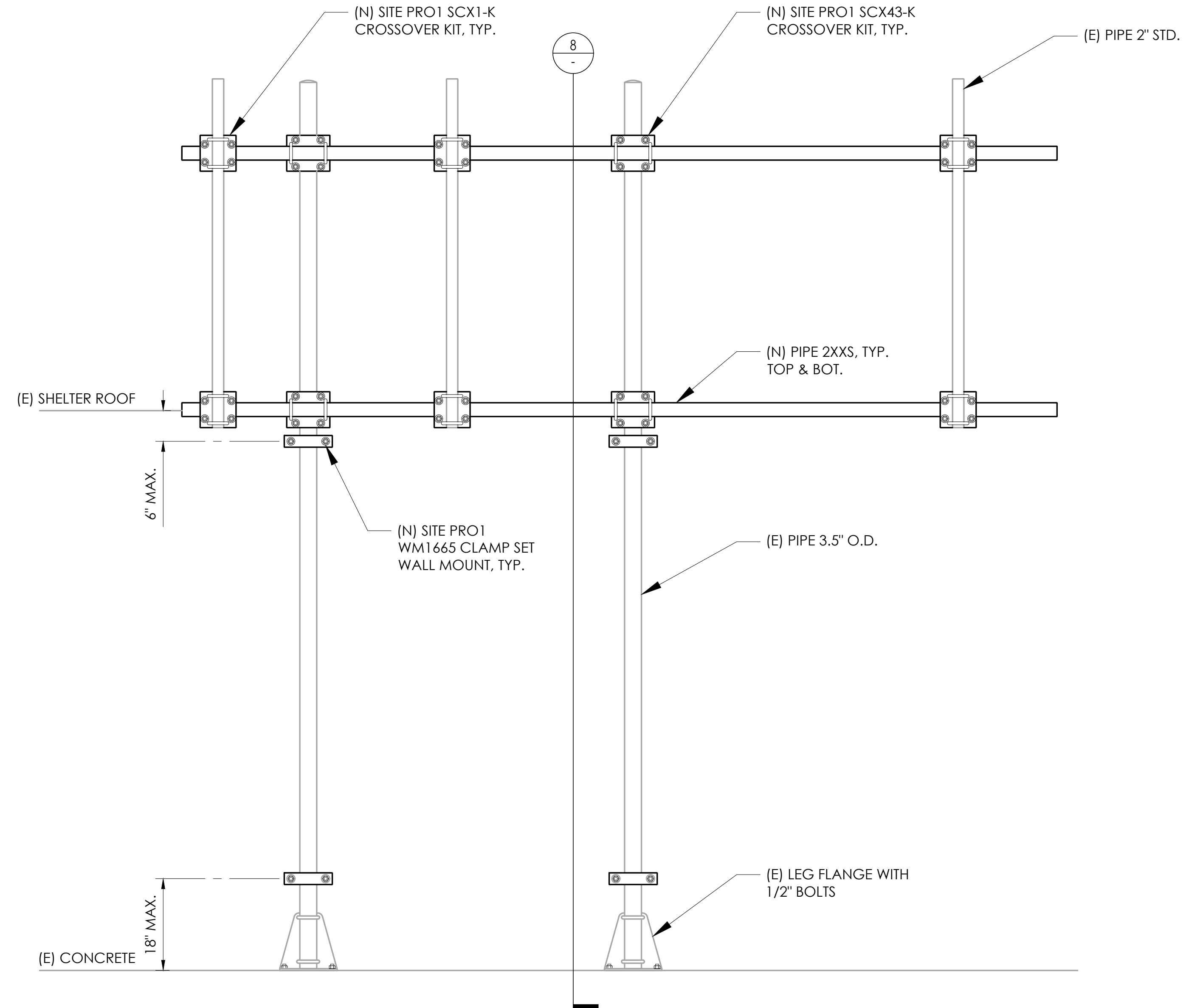
**DETAILS**

Sheet Number:

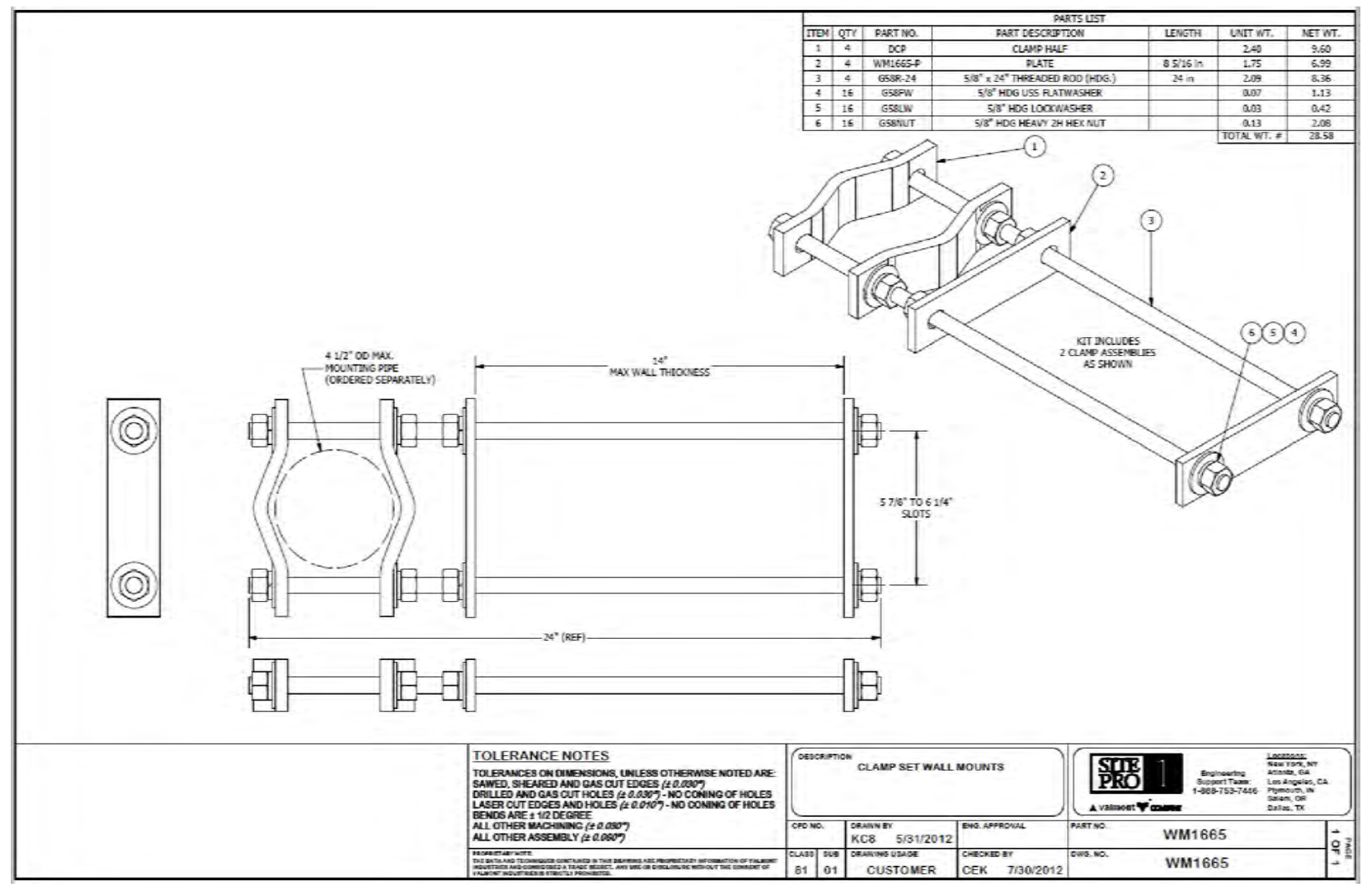
**D-2**




8 ANTENNA MOUNT SUPPORT MODIFICATIONS DETAIL AT SECTOR A (SIDEVIEW)  
N.T.S.



2 ANTENNA MOUNT SUPPORT MODIFICATIONS DETAIL AT SECTOR A (FRONT VIEW)  
N.T.S.




NOTES TO CONTRACTOR:  
 1. CONTRACTOR IS TO REFER TO AT&T'S MOST CURRENT RADIO FREQUENCY DATA SHEET (RFDS) PRIOR TO CONSTRUCTION.

PREPARED FOR  
  
 5001 EXECUTIVE PKWY,  
 SAN RAMON CA 94583

Vendor:  
  
 2030 MAIN STREET, SUITE 200  
 IRVINE, CA 92614  
 P-050284

AT&T Site ID:  
**CCL00160**

REV	DATE	DESCRIPTION	INT.
1	03/01/21	EME REPORT	MM3
0	02/05/21	100% CD	JY/MM
A	12/07/20	90% CD	BH

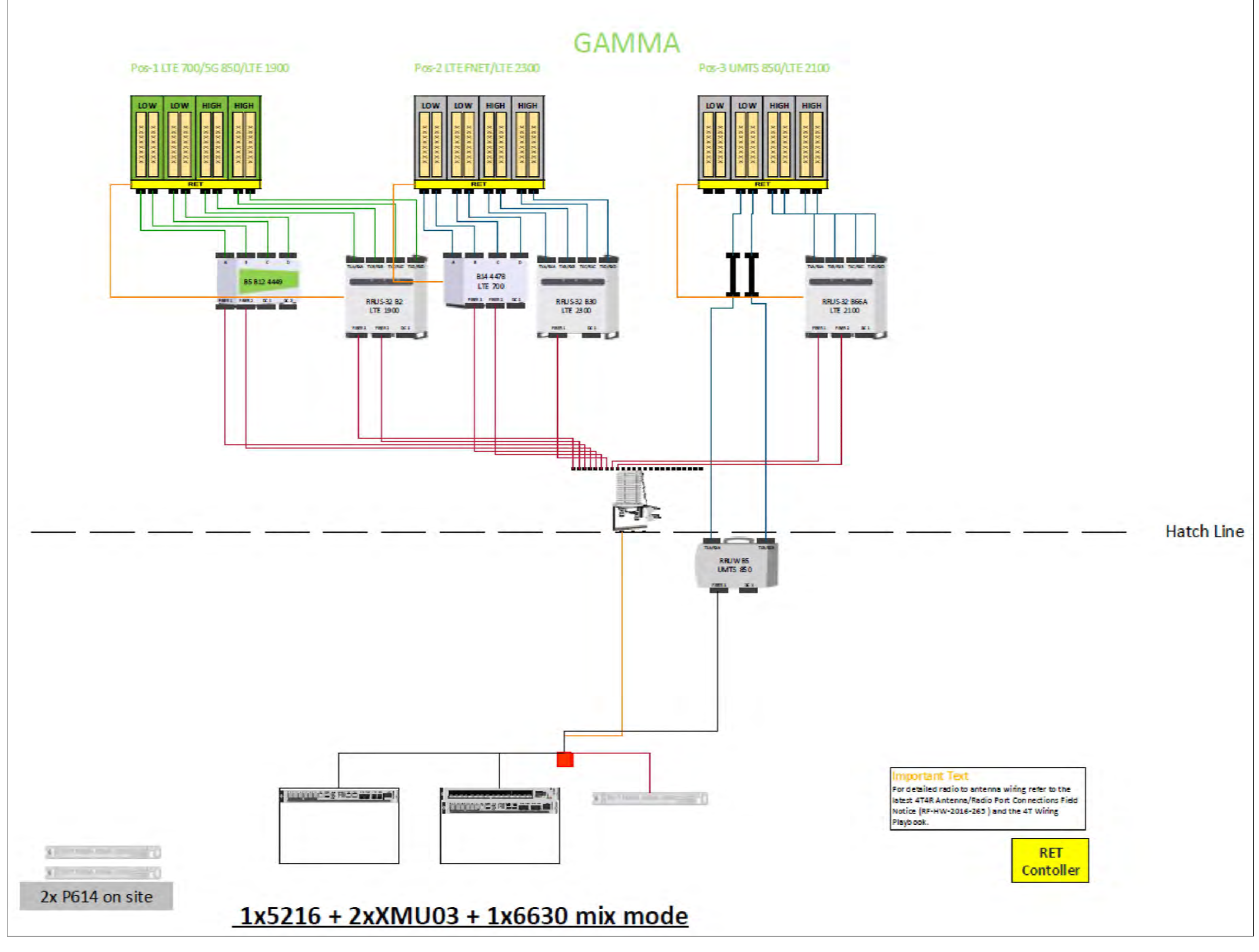
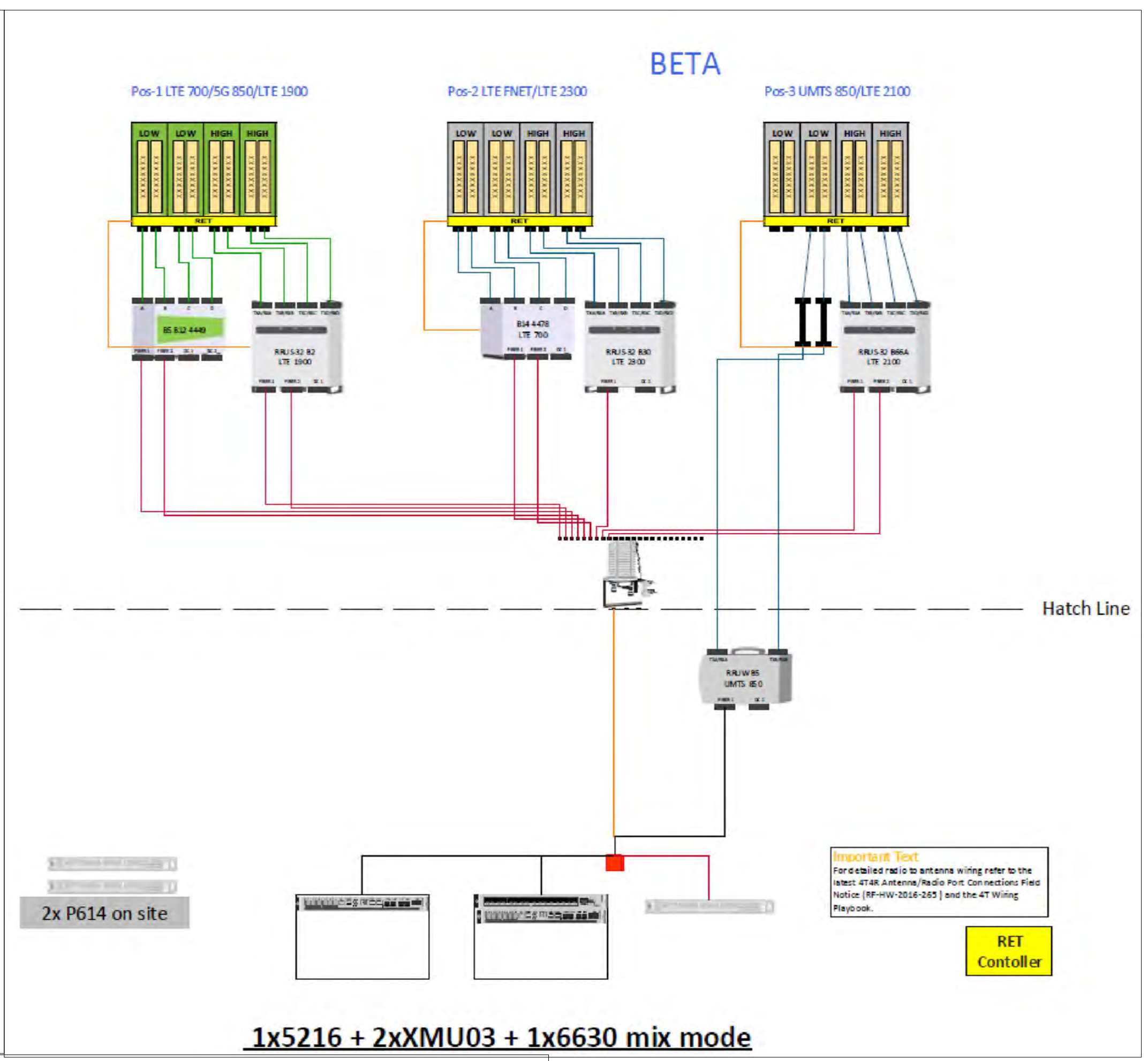
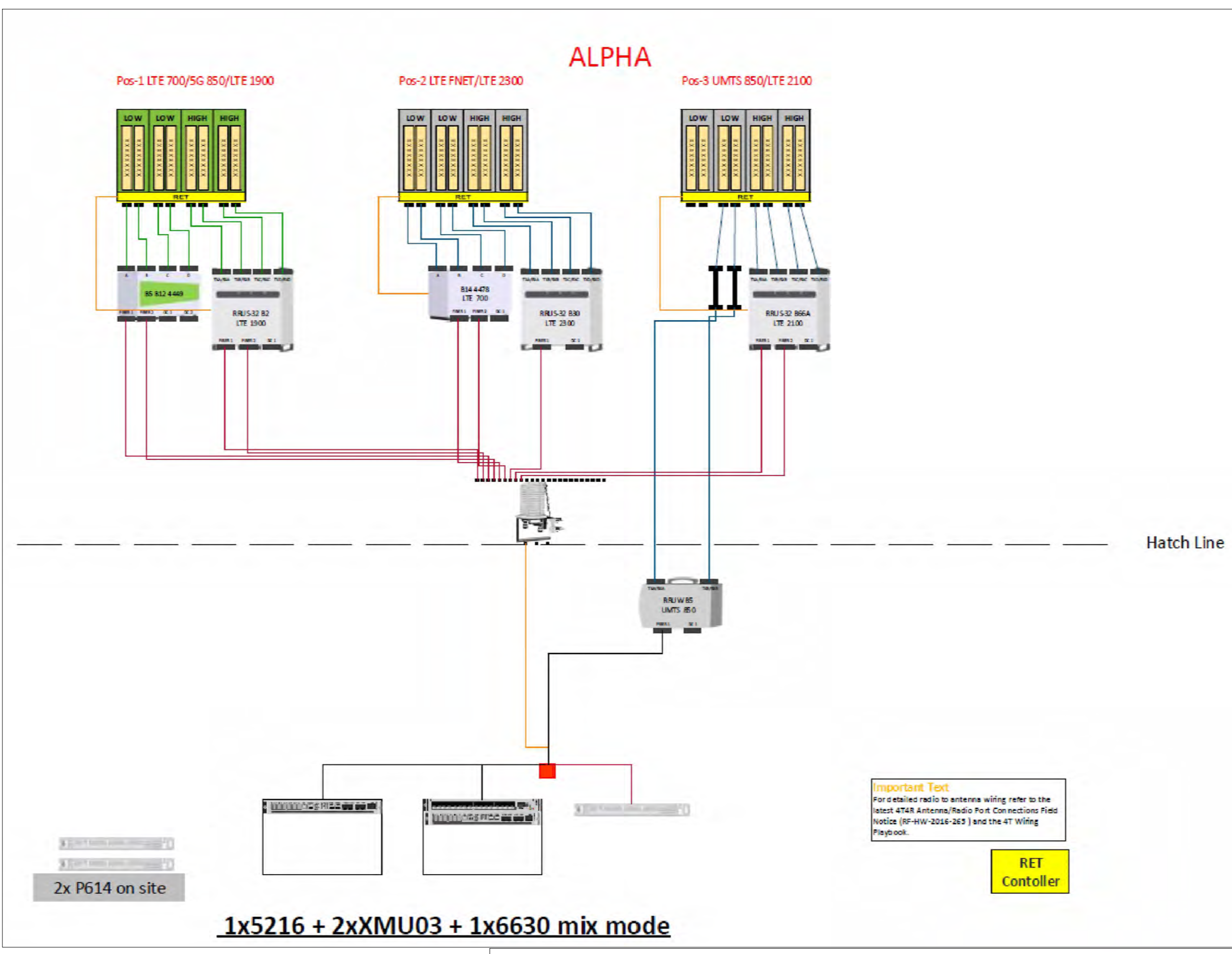
Licenser:  
  
 REGISTERED PROFESSIONAL ENGINEER  
 No. 89570  
 CIVIL  
 STATE OF CALIFORNIA  
 SIGNED: 2021/03/01  
 EXPIRES: 2021/03/31

It is a violation of law for any persons, unless they are acting under the direction of a licensed professional engineer, to alter this document

Issued For:  
**CCL00160**  
 CRYSTAL SPRINGS  
 VISTA POINT II  
 SAN CARLOS, CA 94070  
 A.P.N.: RIGHT-OF-WAY

Sheet Title:  
**PLUMBING DIAGRAM**

Sheet Number:  
**RF-1**



**GROUNDING NOTES:**

- ALL DETAILS ARE SHOWN IN GENERAL TERMS. ACTUAL GROUNDING INSTALLATION REQUIREMENTS AND CONSTRUCTION ACCORDING TO SITE CONDITIONS.
- ALL GROUNDING CONDUCTORS: #2 AWG SOLID BARE TINNED COPPER WIRE UNLESS OTHERWISE NOTED.
- GROUND BAR LOCATED IN BASE OF EQUIPMENT WILL BE PROVIDED, FURNISHED AND INSTALLED BY THE VENDOR.
- ALL BELOW GRADE CONNECTIONS: EXOTHERMIC WELD TYPE, ABOVE GRADE CONNECTIONS: EXOTHERMIC WELD TYPE.
- GROUND RING SHALL BE LOCATED A MINIMUM OF 24" BELOW GRADE OR 6" MINIMUM BELOW THE FROST LINE.
- INSTALL GROUND CONDUCTORS AND GROUND ROD MINIMUM OF 1'-0" FROM EQUIPMENT CONCRETE SLAB, SPREAD FOOTING, OR FENCE.
- EXOTHERMIC WELD GROUND CONNECTION TO FENCE POST: TREAT WITH A COLD GALVANIZED SPRAY.
- GROUND BARS:
  - EQUIPMENT GROUND BUS BAR (EGB) LOCATED AT THE BOTTOM OF ANTENNA POLE/MAST FOR MAKING GROUNDING JUMPER CONNECTIONS TO COAX FEEDER CABLES SHALL BE FURNISHED AND INSTALLED BY ELECTRICAL CONTRACTOR. JUMPERS (FURNISHED BY OWNERS) SHALL BE INSTALLED AND CONNECTED BY ELECTRICAL CONTRACTOR.
- ALL GROUNDING INSTALLATIONS AND CONNECTIONS SHALL BE MADE BY ELECTRICAL CONTRACTOR.
- OBSERVE N.E.C. AND LOCAL UTILITY REQUIREMENTS FOR ELECTRICAL SERVICE GROUNDING.
- GROUNDING ATTACHMENT TO TOWER SHALL BE AS PER MANUFACTURER'S RECOMMENDATIONS OR AT GROUNDING POINTS PROVIDED (2 MINIMUM).
- IF EQUIPMENT IS IN A C.L. FENCE ENCLOSURE, GROUND ONLY CORNER POSTS AND SUPPORT POSTS OF GATE. IF CHAIN LINK LID IS USED, THEN GROUND LID ALSO.
- GROUNDING AT PPC CABINET SHALL BE VERTICALLY INSTALLED.
- ALL GROUNDING FOR ANTENNAS SHALL BE CONNECTED SO THAT IT WILL BY-PASS MAIN BUSS BAR.
- ALL EMT RUNS SHALL BE GROUNDED AND HAVE A BUSHING, NO PVC ABOVE GROUND.
- USE SEPARATE HOLES FOR GROUNDING AT BUSS BAR. NO "DOUBLE-UP" OF LUGS.
- POWER AND TELCO CABINETS SHALL BE GROUNDED (BONDED) TOGETHER.
- NO LB'S ALLOWED ON GROUNDING.
- PROVIDE STAINLESS STEEL CLAMP AND BRASS TAGS ON COAX AT ANTENNAS AND DOGHOUSE.
- ALL ELECTRICAL AND GROUNDING AT THE CELL SITE SHALL COMPLY WITH

THE NATIONAL ELECTRICAL CODE (NEC), NATIONAL FIRE PROTECTION ASSOCIATION (NFPA) 780 (LATEST EDITION), AND MANUFACTURER SPECIFICATION.

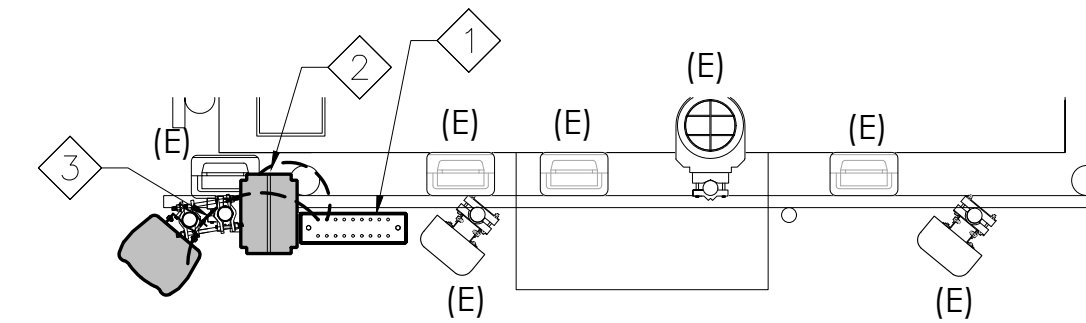
- IF THE AC PANEL IN THE POWER CABINET IS WIRED AS SERVICE ENTRANCE, THE AC SERVICE GROUND CONDUCTOR SHALL BE CONNECTED TO GROUND ELECTRODE SYSTEM. WHEN THE AC PANEL IN THE POWER CABINET IS CONSIDERED A SUB-PANEL, THE GROUND WIRE SHALL BE INSTALLED IN THE AC POWER CONDUIT. THE INSTALLATION SHALL BE PER LOCAL AND NATIONAL ELECTRIC CODE (NFPA-70).
- EXOTHERMIC WELDING IS RECOMMENDED FOR GROUNDING CONNECTION WHERE PRACTICAL. OTHERWISE, THE CONNECTION SHALL BE MADE USING COMPRESSION TYPE-2 HOLES, LONG BARREL LUGS OR DOUBLE CRIMP CLAMP "C" CLAMP. THE COPPER CABLES SHALL BE COATED WITH ANTI-OXIDANT (COPPER SHIELD) BEFORE MAKING THE CONNECTIONS. THE MANUFACTURER'S TORQUING RECOMMENDATIONS ON THE BOLT ASSEMBLY TO SECURE CONNECTIONS SHALL BE FOLLOWED.
- THE ANTENNA CABLES SHALL BE GROUNDED AT THE TOP AND BOTTOM OF THE VERTICAL RUN FOR LIGHTING PROTECTION. THE ANTENNA CABLE SHIELD SHALL BE BONDED TO A COPPER GROUND BUSS AT THE LOWER MOST POINT OF A VERTICAL RUN JUST BEFORE IT BEGINS TO BEND TOWARD THE HORIZONTAL PLANE. WIRE RUNS TO GROUND SHALL BE KEPT AS STRAIGHT AND SHORT AS POSSIBLE. ANTENNA CABLE SHIELD SHALL BE GROUNDED JUST BEFORE ENTERING THE CELL CABINET. ANY ANTENNA CABLES OVER 200 FEET IN LENGTH SHALL ALSO BE EQUIPPED WITH ADDITIONAL GROUNDING AT MID-POINT.
- ALL GROUNDING CONDUCTORS INSIDE THE BUILDING SHALL BE RUN IN CONDUIT RACEWAY SYSTEM, AND SHALL BE INSTALLED AS STRAIGHT AS PRACTICAL WITH MINOR BENDS TO AVOID OBSTRUCTIONS. THE BENDING RADIUS OF ANY #2 GROUNDING CONDUCTOR IS 8". PVC RACEWAY MAY BE FLEXIBLE OR RIGID PER THE FIELD CONDITIONS. GROUNDING CONDUCTORS SHALL NOT MAKE CONTACT WITH ANY METALLIC CONDUITS, SURFACES OR EQUIPMENT.
- PROVIDE PVC SLEEVES WHERE GROUNDING CONDUCTORS PASS THROUGH THE BUILDING WALLS AND /OR CEILINGS.
- INSTALL GROUND BUSHINGS ON ALL METALLIC CONDUITS AND BOND TO THE EQUIPMENT GROUND BUSS IN THE PANEL BOARD.
- GROUND ANTENNA BASES, FRAMES, CABLE RACKS AND OTHER METALLIC COMPONENTS WITH #2 GROUNDING CONDUCTORS AND CONNECT TO INSULATED SURFACE MOUNTED GROUND BARS. CONNECTION DETAILS SHALL FOLLOW MANUFACTURER'S SPECIFICATIONS FOR GROUNDING.
- ALL PROPOSED GROUNDING CONDUCTORS SHALL BE ROUTED AND CONNECTED TO THE MAIN GROUND BAR OR EXISTING GROUND RING.

**KEY NOTES:**

- (E) ANTENNA GROUND BAR TO BE VERIFIED @ FIELD
- AWG 2 INSULATED COPPER GROUND WIRE FROM (N) RRU AND DC6 TO (E) ANTENNA GROUND BAR
- AWG 6 INSULATED COPPER GROUND WIRE FROM GROUND KIT TO (E) ANTENNA GROUND BAR

**NOTES:**

- REFER TO TYP. ANTENNA GROUNDING DIAGRAM
- (E) GROUND WIRES ARE NOT SHOWN FOR CLARITY



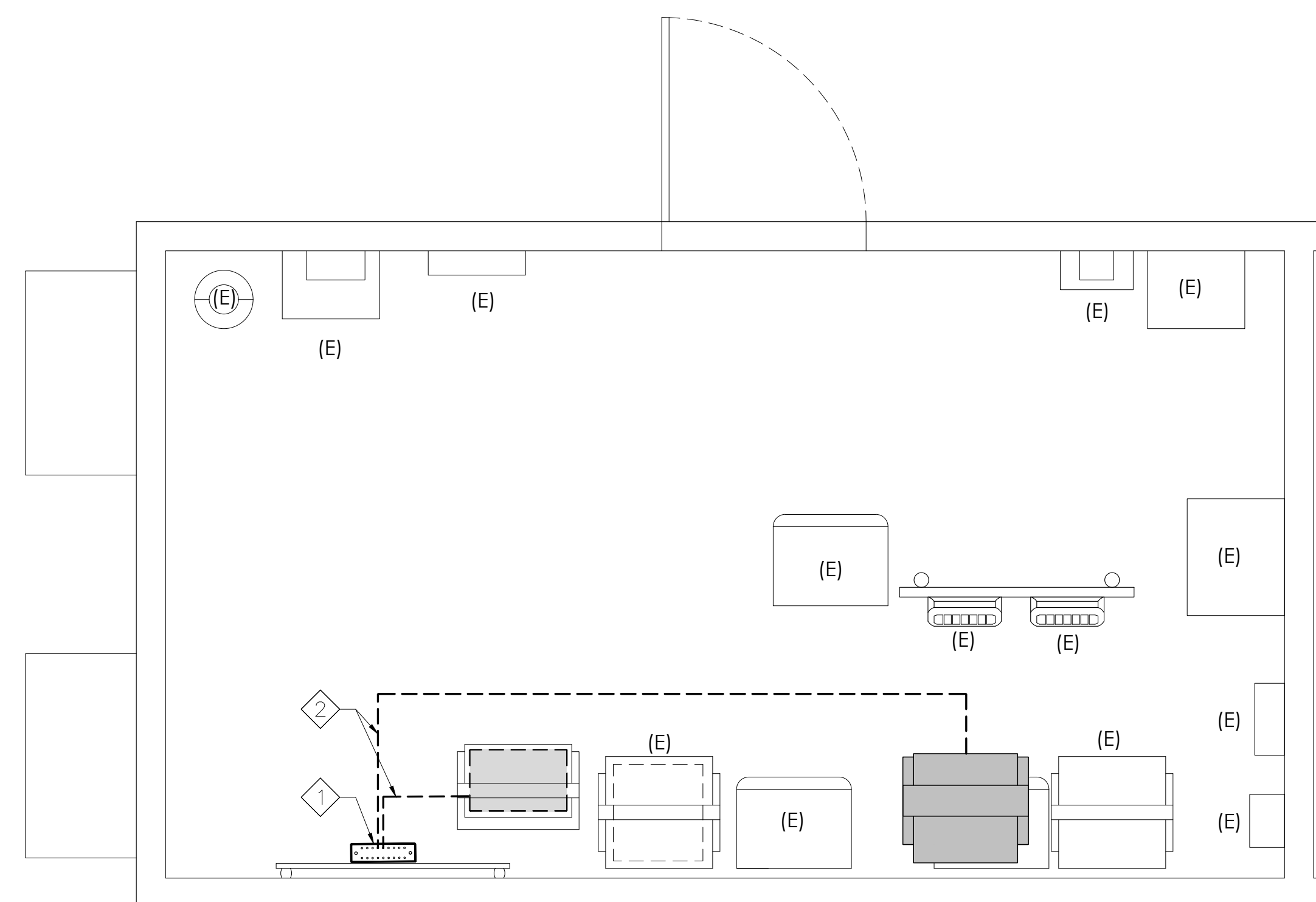
2 ANTENNA GROUNDING PLAN (TYP. PER SECTOR)  
1/2" = 1'-0"

**KEY NOTES:**

- (E) EQUIPMENT GROUND BAR TO BE VERIFIED @ FIELD
- AWG 2 INSULATED COPPER TO (E) EQUIPMENT GROUND BAR

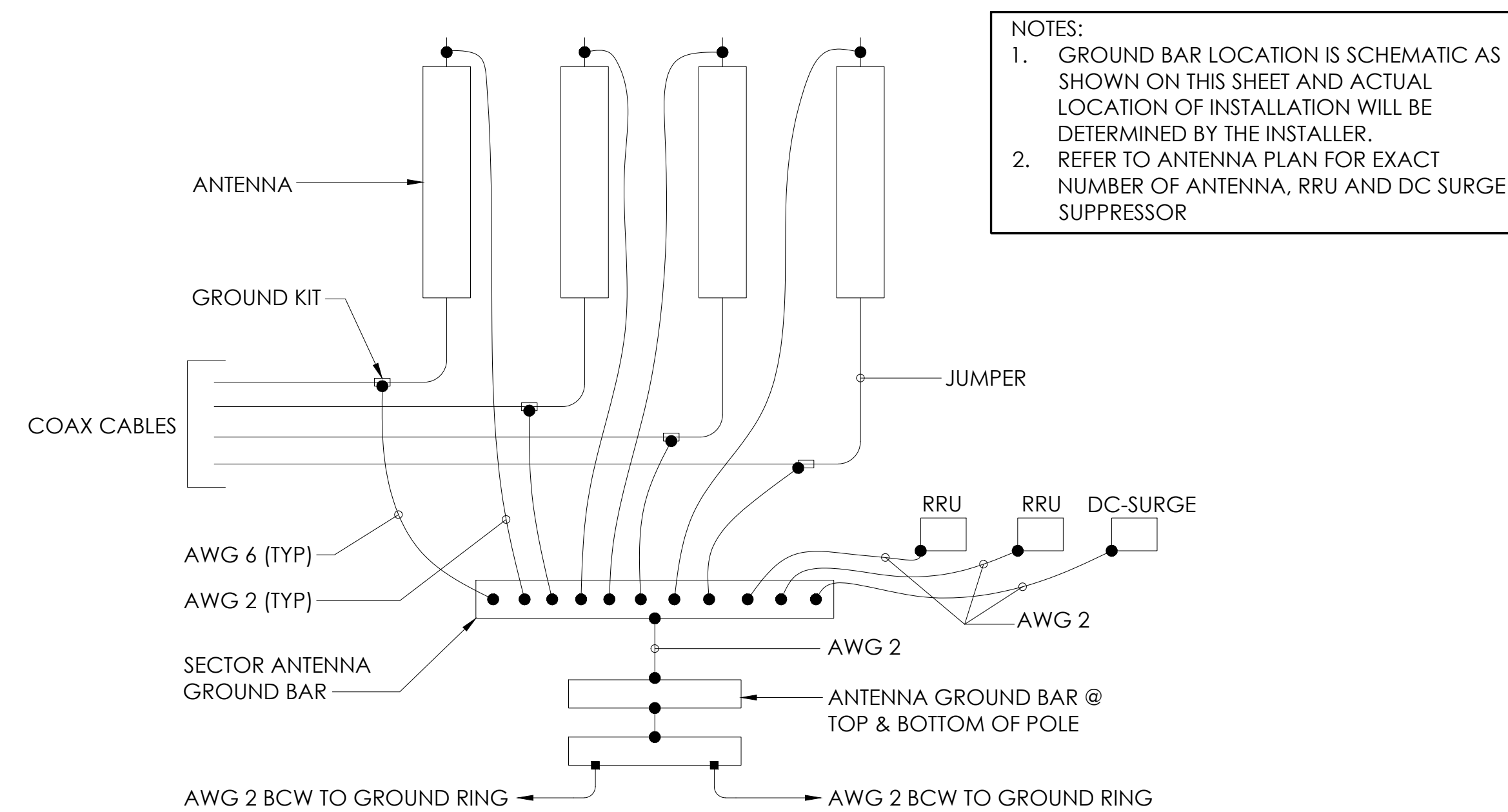
**NOTE:**

- (E) GROUND WIRES ARE NOT SHOWN FOR CLARITY.



1 EQUIPMENT GROUNDING PLAN  
1/2" = 1'-0"

4 GROUNDING NOTES  
N.T.S.



**NOTES:**

- GROUND BAR LOCATION IS SCHEMATIC AS SHOWN ON THIS SHEET AND ACTUAL LOCATION OF INSTALLATION WILL BE DETERMINED BY THE INSTALLER.
- REFER TO ANTENNA PLAN FOR EXACT NUMBER OF ANTENNA, RRU AND DC SURGE SUPPRESSOR

3 TYP. ANTENNA GROUNDING DIAGRAM  
N.T.S.

PREPARED FOR



5001 EXECUTIVE PKWY,  
SAN RAMON CA 94583

Vendor:



2030 MAIN STREET, SUITE 200  
IRVINE, CA 92614

P-050284

AT&T Site ID:

**CCL00160**

1	03/01/21	EME REPORT	MM3
0	02/05/21	100% CD	JY/MM
A	12/07/20	90% CD	BH
REV	DATE	DESCRIPTION	INT.

Licenser:



SIGNED: 2021/03/01  
EXPIRES: 2021/09/30

It is a violation of law for any persons, unless they are acting under the direction of a licensed professional engineer, to alter this document

Issued For:

**CCL00160**

**CRYSTAL SPRINGS**

VISTA POINT II  
SAN CARLOS, CA 94070

A.P.N.: RIGHT-OF-WAY

Sheet Title:

**GROUNDING PLANS & NOTES**

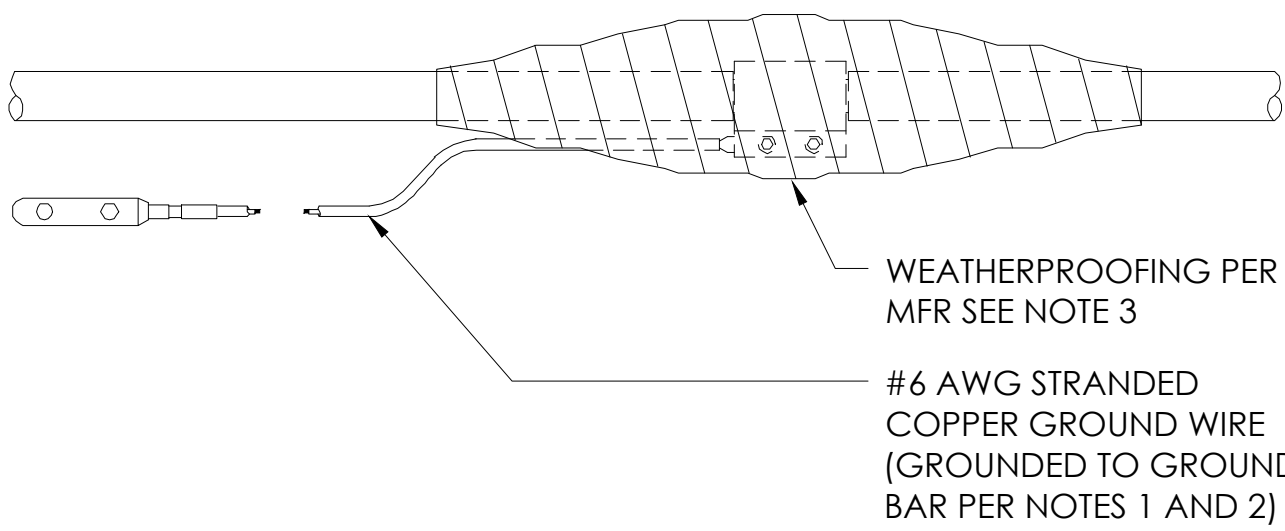
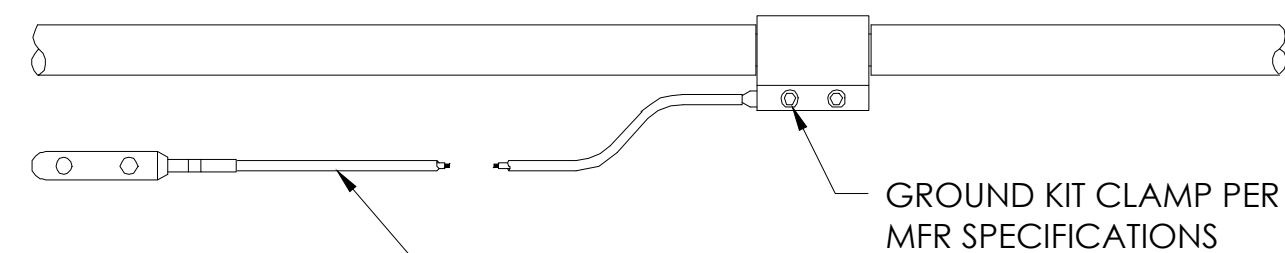
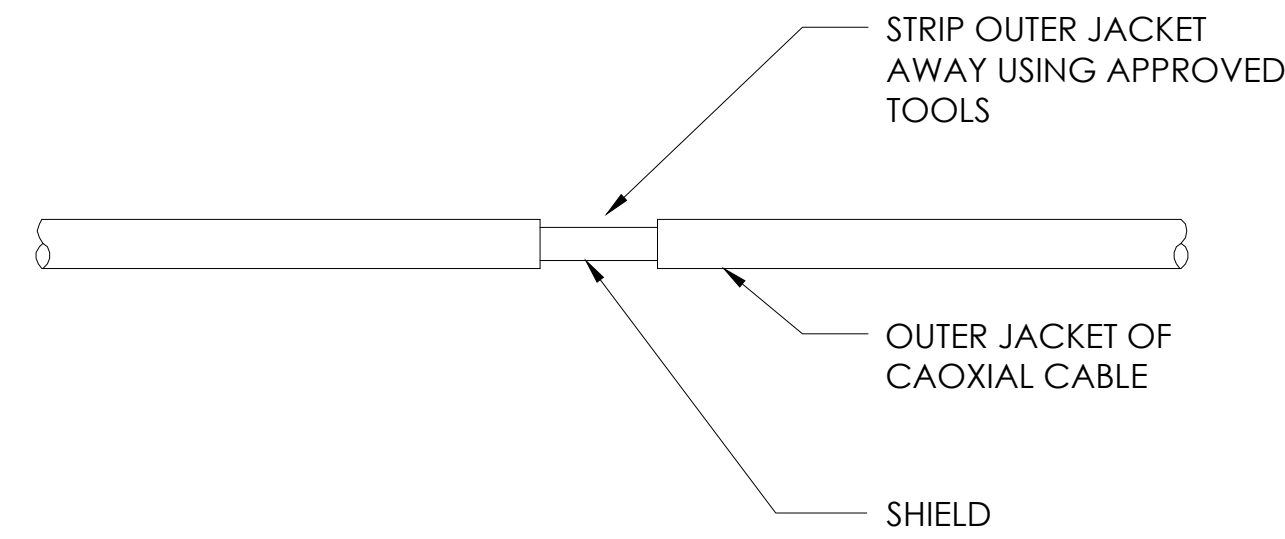
Sheet Number:

**G-1**

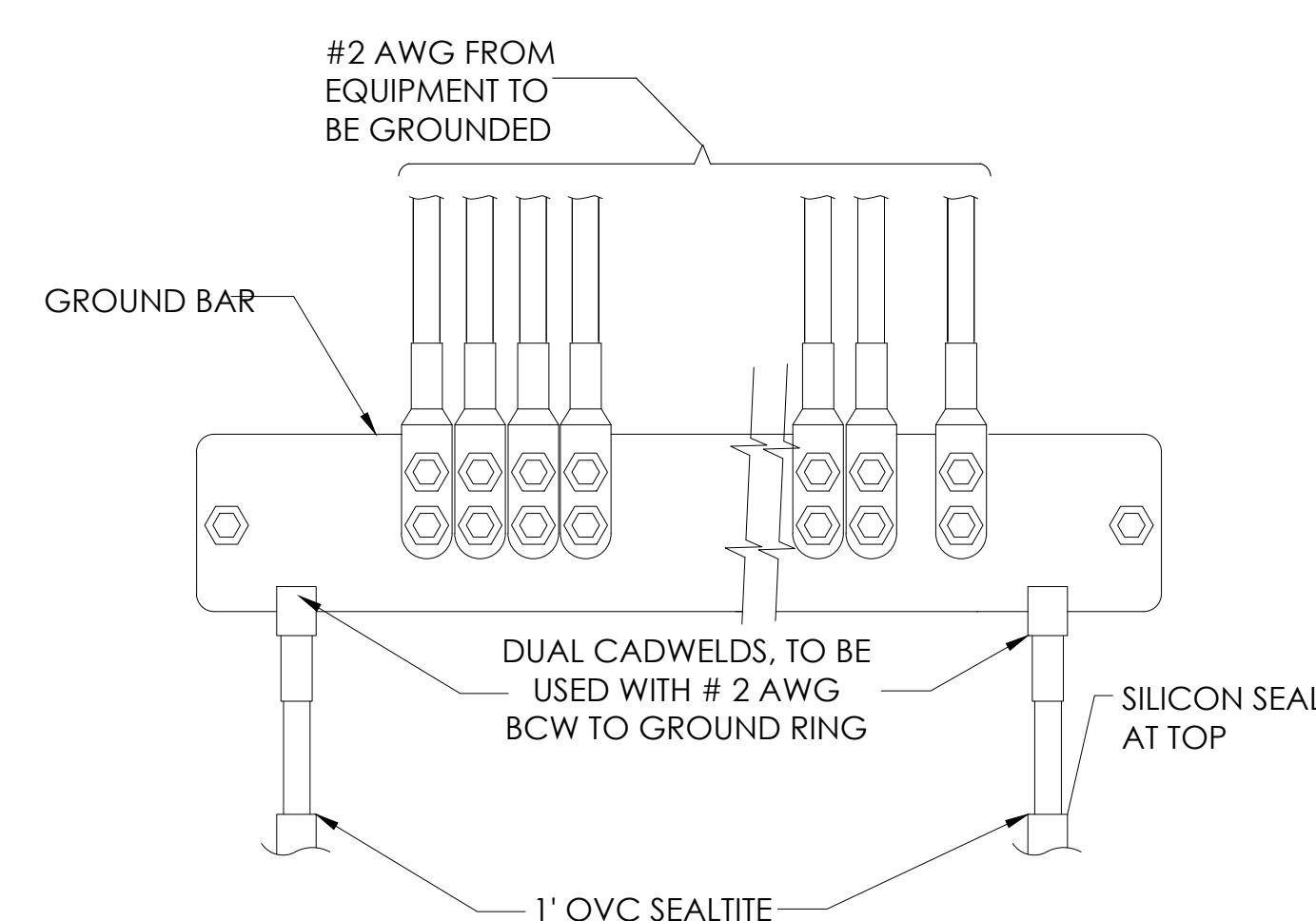


10 NOT USED  
N.T.S.

- NOTES:
- DO NOT INSTALL CABLE GROUND KIT AT A BEND AND ALWAYS DIRECT GROUND WIRE DOWN TO GROUND BAR
  - GROUNDING KIT SHALL BE TYPE AND PART NUMBER AS SUPPLIED OR RECOMMENDED BY CABLE MFR
  - WEATHER PROOFING SHALL BE TYPE AND PART NUMBER AS SUPPLIED OR RECOMMENDED BY THE CABLE MFR



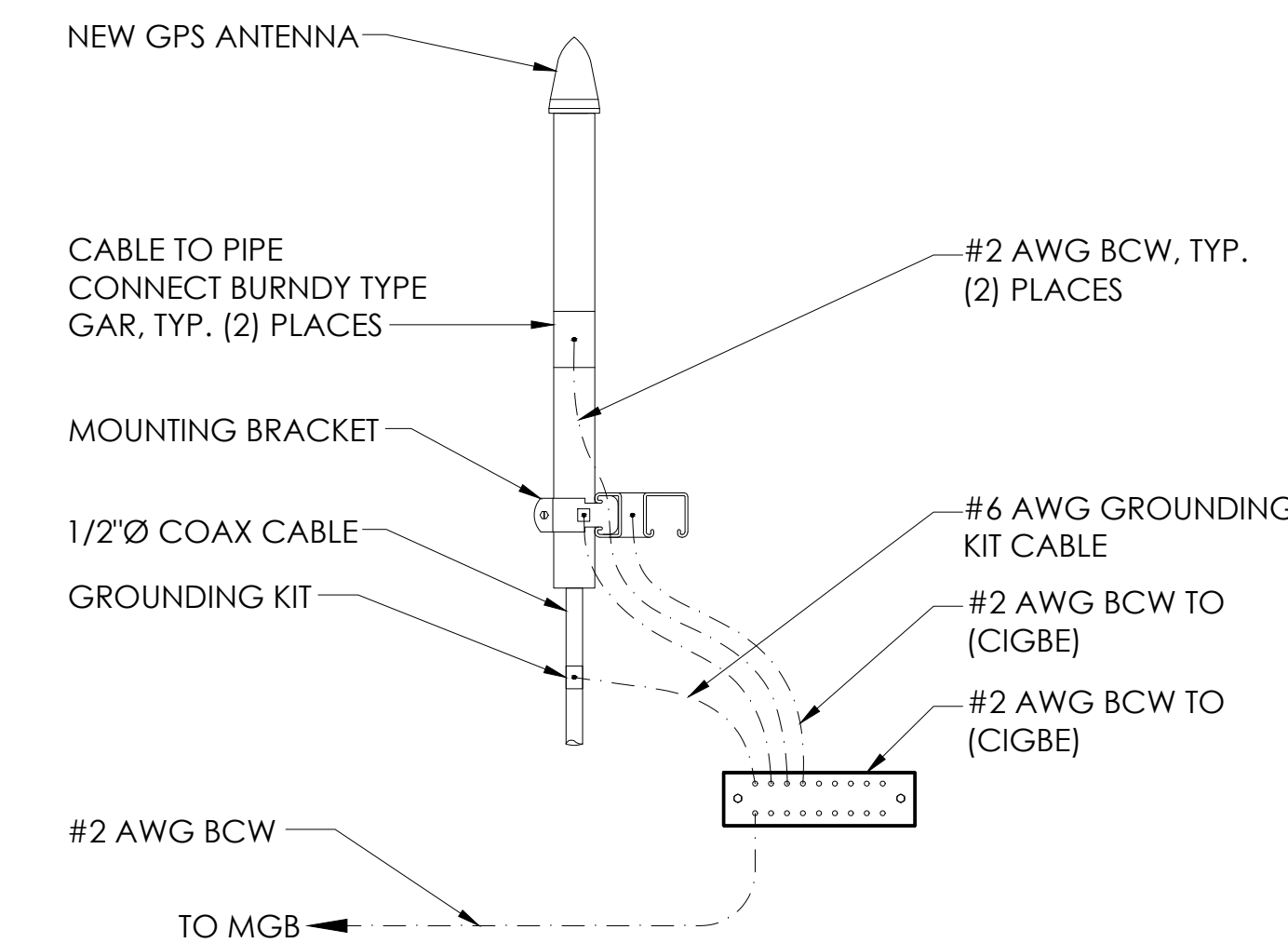
7 GROUND KIT  
N.T.S.



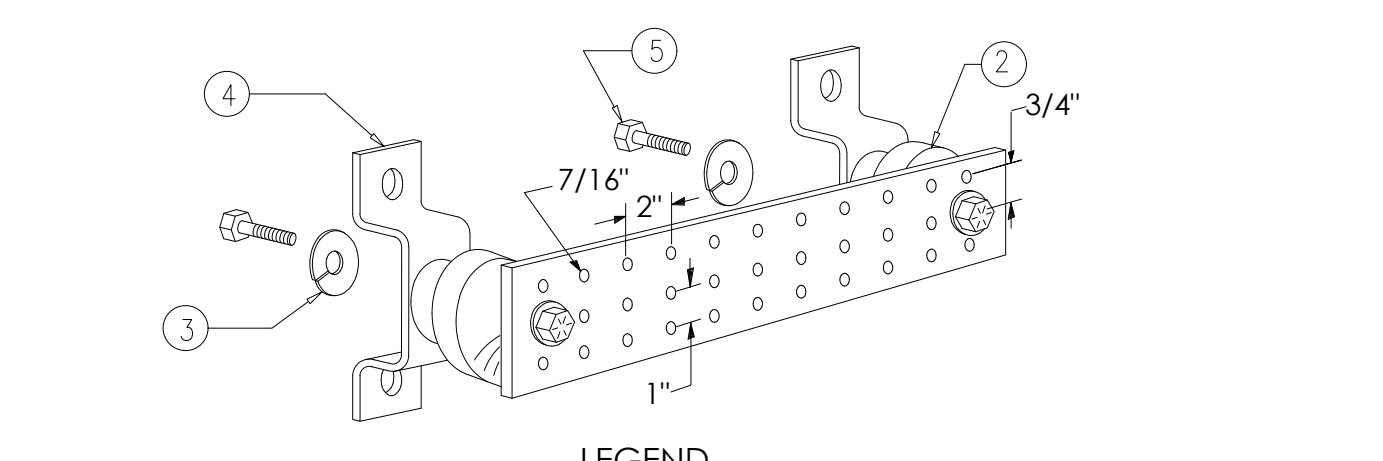
- NOTE:
- CONTRACTOR TO UTILIZE KOPR-SHIELD (THANS & BETTS) ON ALL LUG CONNECTIONS OR APPROVED EQUAL
  - ALL LUGS TO BE DUAL HOLE LONG BARREL AND CRIMPED TWICE WITH MFR'S RECOMMENDED TOOL

5 GROUND BAR CONNECTION  
N.T.S.

3 NOT USED  
N.T.S.



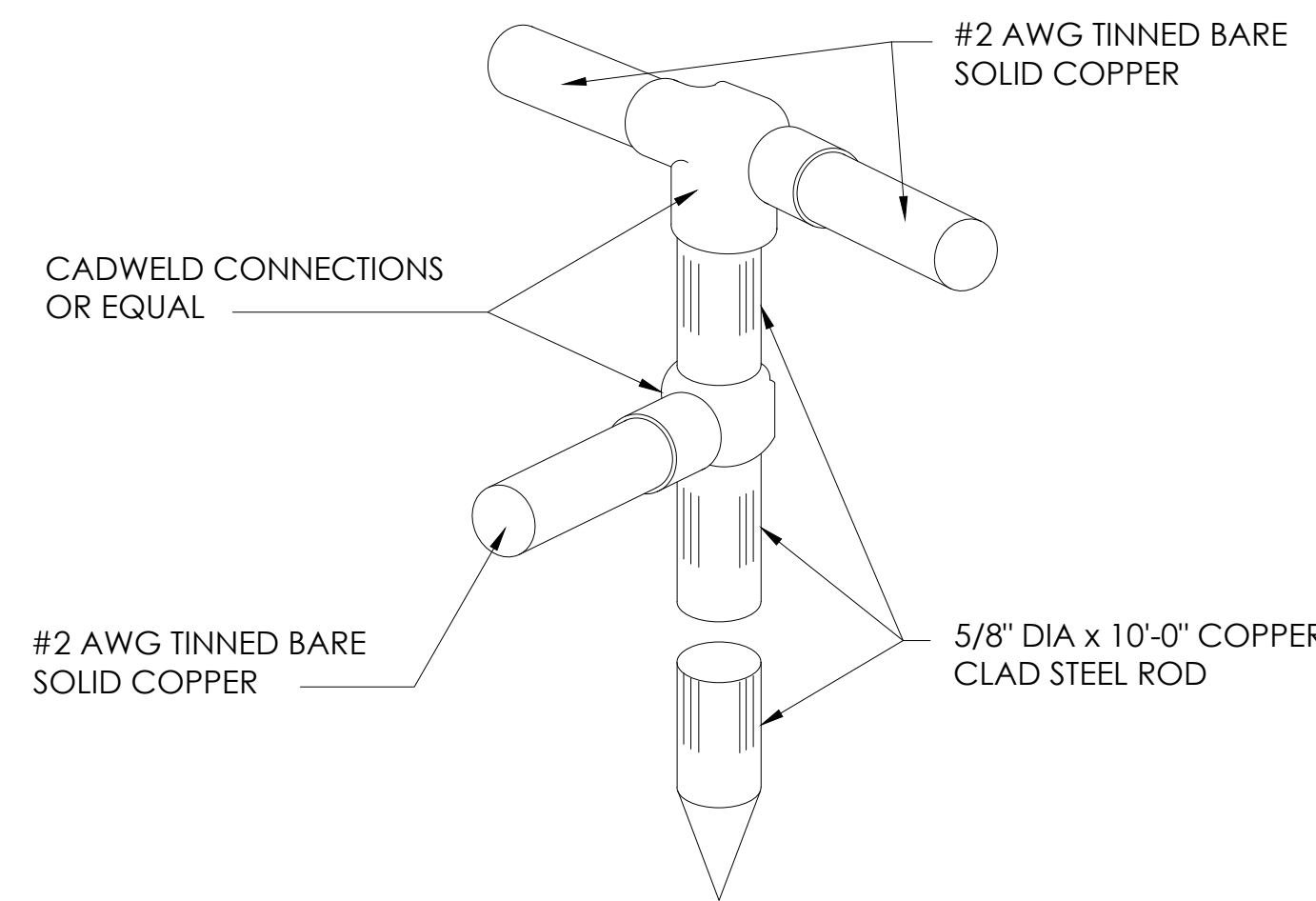
9 GPS ANTENNA GROUNDING  
N.T.S.



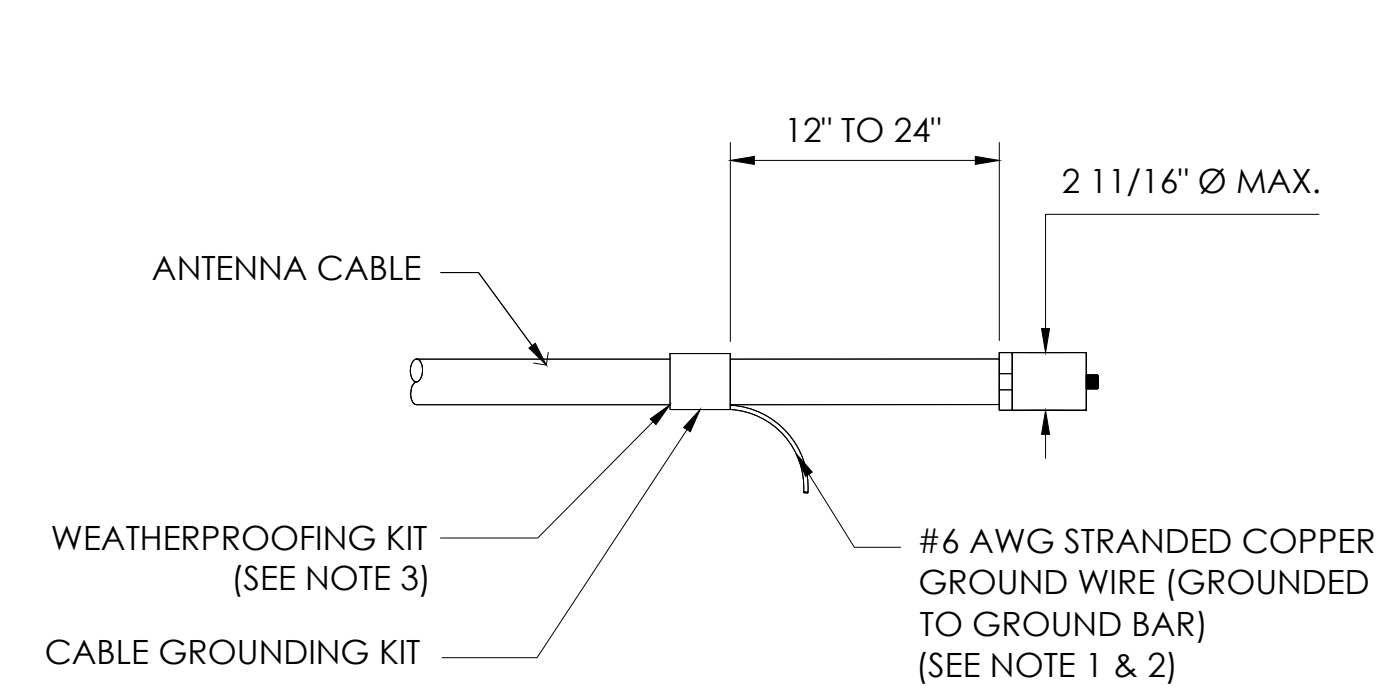
- LEGEND
- COPPER GROUND BAR, "X 1/4" X 20", NEWTON INSTRUMENT CO. CAT. NO. 8-6142 OR EQUAL. HOLE CENTERS TO MATCH NEMA DOUBLE LUG CONFIGURATION. (ACTUAL GROUND BAR SIZE WILL VARY BASED ON NUMBER OF GROUND CONNECTIONS)
  - INSULATORS, NEWTON INSTRUMENT CAT. NO. 3061-4 OR EQUAL
  - 5/8" LOCKWASHERS, NEWTON INSTRUMENT CO. CAT. NO. 3015-8 OR EQUAL
  - WALL MOUNTING BRACKET, NEWTON INSTRUMENT CO. CAT NO. A-6056 OR EQUAL
  - 5/8-11 X 1" HHCS BOLTS, NEWTON INSTRUMENT CO. CAT NO. 3012-1 OR EQUAL
  - INSULATORS SHALL BE ELIMINATED WHEN BONDING DIRECTLY TO TOWER/MONOPOLE STRUCTURE. CONNECTION TO TOWER/MONOPOLE STRUCTURE SHALL BE PER MANUFACTURERS RECOMMENDATIONS.

NOTE: ALL HARDWARE SHALL BE STAINLESS STEEL

4 GROUND BAR DETAIL  
N.T.S.

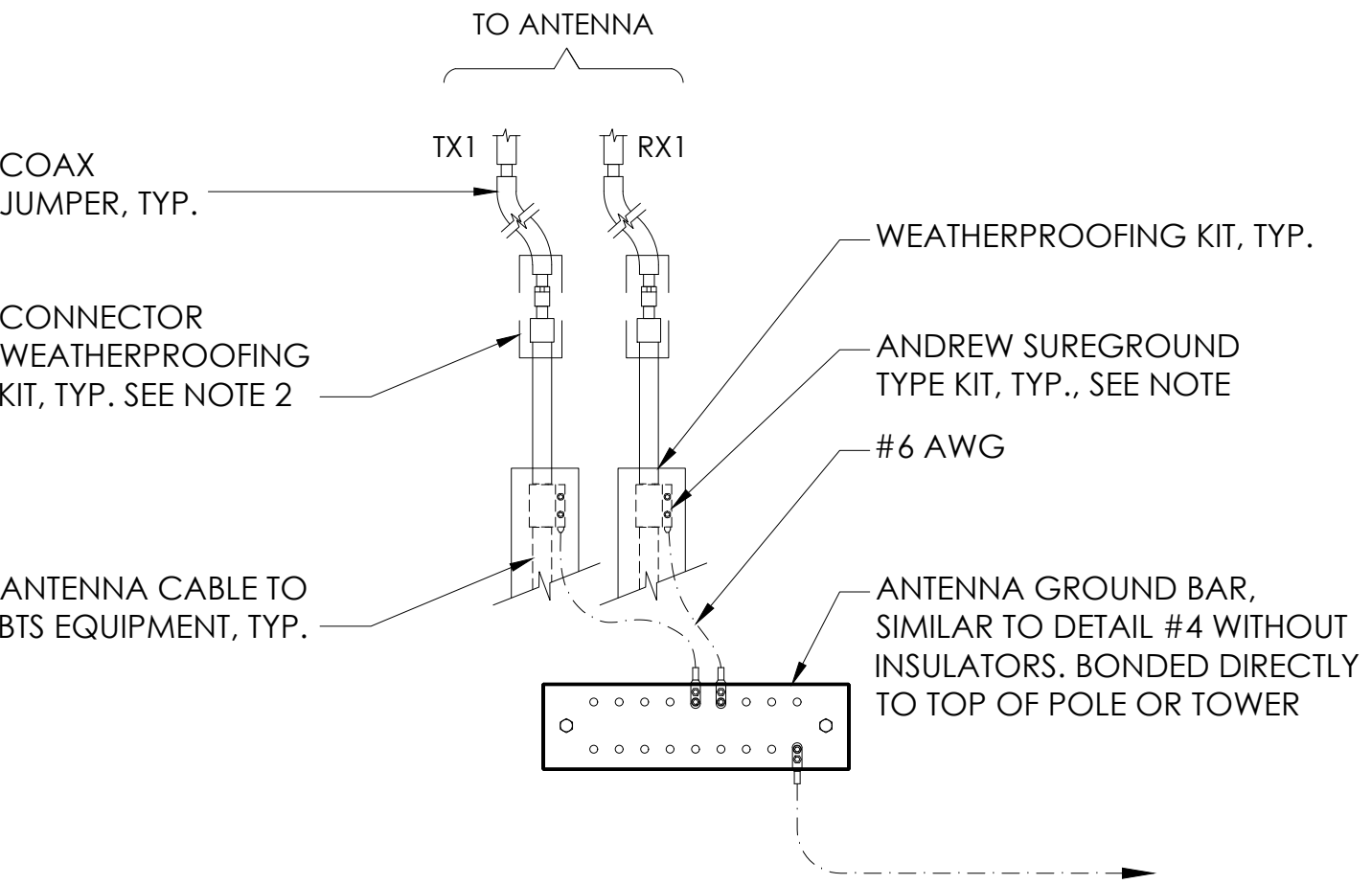


2 GROUND ROD DETAIL  
N.T.S.



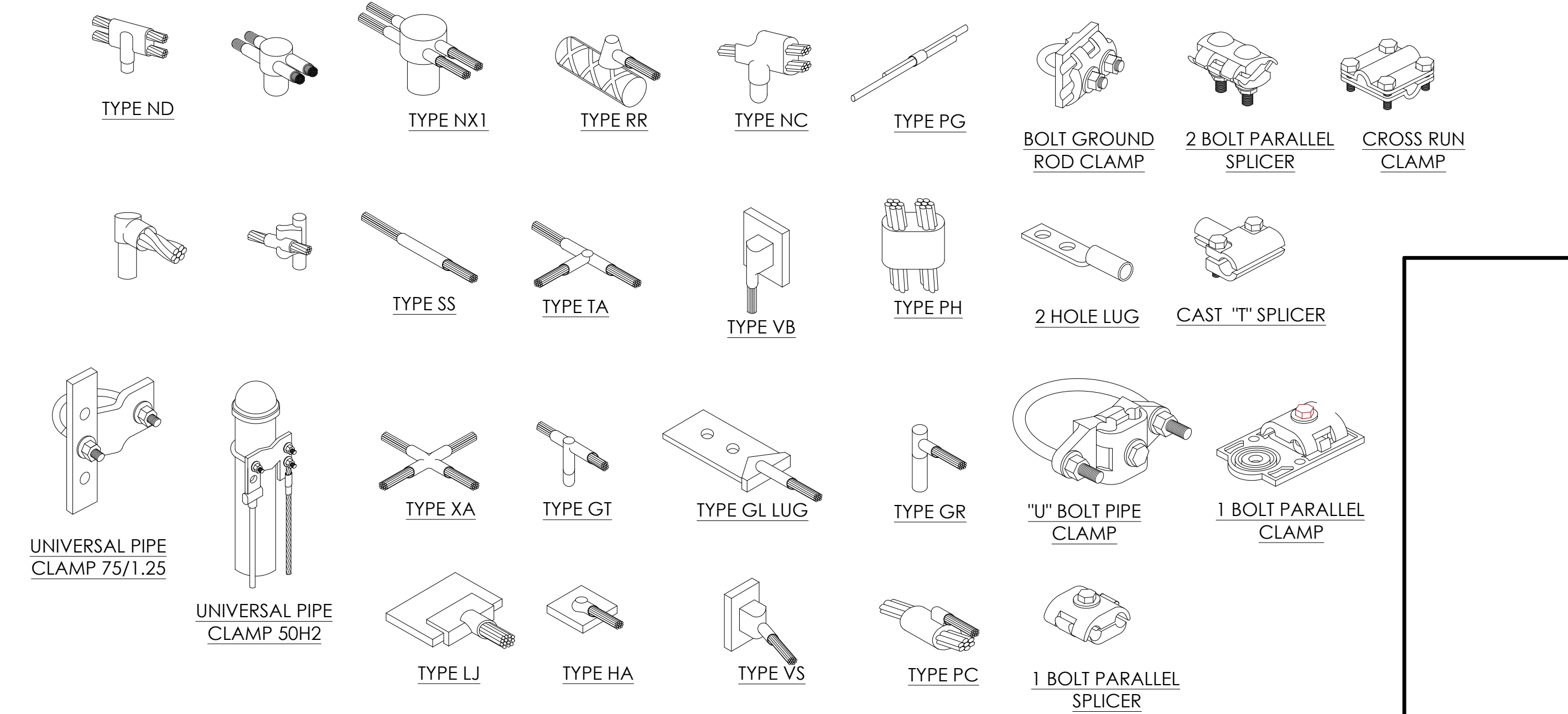
- NOTE:
- DO NOT INSTALL CABLE GROUND KIT AT A BEND AND ALWAYS DIRECT WIRE DOWN TO GROUND BAR.
  - GROUNDING KIT SHALL BE TYPE AND PART NUMBER AS SUPPLIED OR RECOMMENDED BY CABLE MANUFACTURER.
  - WEATHER PROOFING SHALL BE (TYPE AND PART NUMBER AS SUPPLIED OR RECOMMENDED BY CABLE MANUFACTURER.)

8 CONNECTION OF GROUND KIT TO ANTENNA CABLE  
N.T.S.



- NOTE:
- DO NOT INSTALL CABLE GROUND KIT AT A BEND AND ALWAYS DIRECT GROUND WIRE DOWN TO ANTENNA GROUND BAR.
  - WEATHER PROOFING SHALL BE ANDREW TWO-PART TAPE KIT. COLD SHRINK SHALL NOT BE USED

6 GROUND CONNECTION TO GROUND BAR  
N.T.S.



1 TYPICAL MECHANICAL CONNECTIONS  
N.T.S.

PREPARED FOR  
**AT&T**  
5001 EXECUTIVE PKWY,  
SAN RAMON CA 94583

Vendor:  
**INFRASTRUCTURE PARTNERS**  
2030 MAIN STREET, SUITE 200  
IRVINE, CA 92614  
P-050284

AT&T Site ID:  
**CCL00160**

1	03/01/21	EME REPORT	MM3
0	02/05/21	100% CD	JY/MM
A	12/07/20	90% CD	BH
REV	DATE	DESCRIPTION	INT.

Licenser:  
  
SIGNED: 2021/03/01  
EXPIRES: 2021/09/30

It is a violation of law for any persons, unless they are acting under the direction of a licensed professional engineer, to alter this document

Issued For:  
**CCL00160**  
**CRYSTAL SPRINGS**  
VISTA POINT II  
SAN CARLOS, CA 94070  
A.P.N.: RIGHT-OF-WAY

Sheet Title:  
**GROUNDING DETAILS**

Sheet Number:  
**G-2**



BECAUSE WHEN THE POWER IS OUT, YOU DON'T WANT THEIR PHONES TO BE.



- 10 YEAR DESIGN LIFE**  
Exceeds TELCORDIA GR-1200 criteria  
Greater than 5 years at 35°C
- CAPACITY RANGE**  
45Ah - 200Ah
- HIGH TEMPERATURE LONG LIFE DESIGN**  
Primary lead for long life  
Low calcium alloy for long life  
Additives to maintain compression  
Designed to control charging current as temperature increases  
No thermal runaway  
Epoxy sealed terminals to prevent post leaks  
Rugged ABS cases to minimize handling damage
- COMPLIANCE**  
VZ TPR-9802  
GR-4228  
GR-1089  
GR-63 NEBS
- SAFETY**  
UL 94V-0  
UL 1989

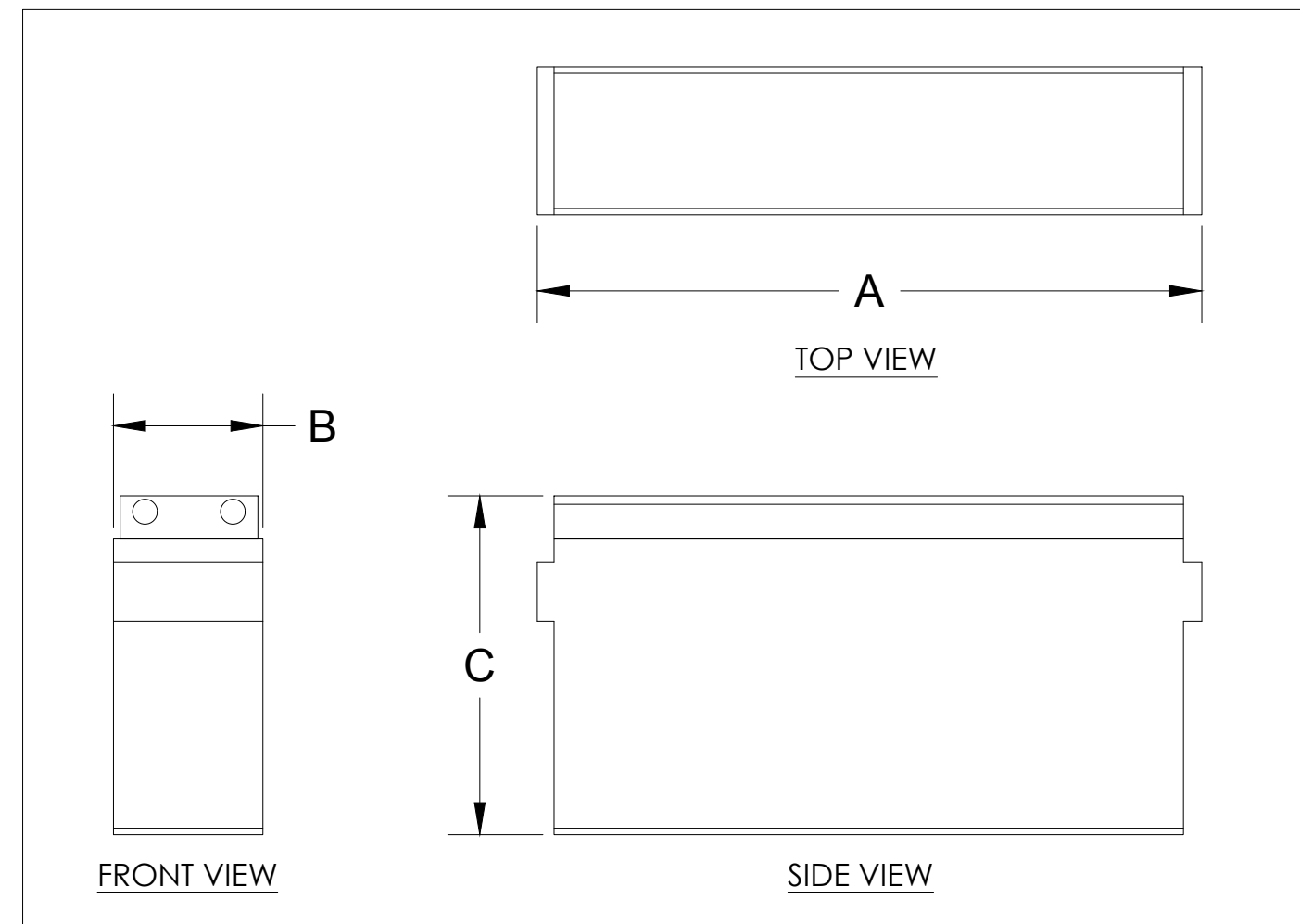
**ABOUT THE PYL SERIES**

Proven in the real world, the PYL Series of telecom batteries provides security and long life in extreme climates where other VRLA batteries just don't survive. The PYL technology utilizes proprietary lead alloys and active material additives. The PYL Series is the most cost effective battery solution over the total life cycle and for initial installation in your network.



**GS BATTERY FRONT TERMINAL SPECIFICATIONS**

MODEL NUMBER	VOLTAGE	CAPACITY (Ah)		NOMINAL DIMENSIONS						NOMINAL WEIGHT	
		8HR TO 1.75V @ 25°C	AMPERES/WATTS TO 1.75V @ 25°C	INCHES			MILLIMETERS			LBS.	KG.
		A	B	C	A	B	C				
PYL12V160FT	12	160	62.6 / 739	21.9	4.9	11.0	556	125	280	116.2	52.7
PYL12V185FT	12	185	71.2 / 829	21.9	4.9	12.5	556	125	317	133.8	60.7



**GS BATTERY FRONT TERMINAL SPECIFICATIONS**

MODEL NUMBER	INTERNAL RESISTANCE (mOhms)
PYL12V160FT	2.5
PYL12V185FT	3.5

FLOAT VOLTAGE & CHARGING  
CONSTANT VOLTAGE CHARGING IS RECOMMENDED.  
RECOMMENDED FLOAT VOLTAGE: 1.75 VPC @ 25°C (77°F)

NOTE:  
DESIGN AND/OR SPECIFICATIONS SUBJECT TO CHANGE WITHOUT NOTICE. IF QUESTIONS ARISE, CONTACT YOUR LOCAL GNB SALES REPRESENTATIVE FOR CLARIFICATION.

**BATTERY INFORMATION (VRLA TYPE BATTERIES)**

INSTALL STATUS	BATTERY MODEL	TOTAL # OF BATTERY UNITS INSTALLED (EA)	VOLTAGE (V)	AMP-HOURS (AH)	KWh, Kilowatt-hours = (V*AH)/1000	TOTAL BATTERY CAPACITY, KWh	STATIONARY BATTERY STORAGE SYSTEM THRESHOLD QUANTITY, PER CFC 2019 SECTION 1206	STATIONARY BATTERY STORAGE SYSTEM CODE CHECK	TOTAL ELECTROLYTE VOLUME (GALLONS) PER UNIT	TOTAL ELECTROLYTE BY VOLUME (GALLONS) =
PROPOSED	GS PYL12V185FT	16	12	185	2.22	35.52			2.504	40.064
TOTAL		16				35.52	70	<b>CFC 2019 SECTION 1206 DOES NOT APPLY</b>		40.064

PREPARED FOR



5001 EXECUTIVE PKWY,  
SAN RAMON CA 94583

Vendor:



2030 MAIN STREET, SUITE 200  
IRVINE, CA 92614

P-050284

AT&T Site ID:

**CCL00160**

REV	DATE	DESCRIPTION	INT.
1	03/01/21	EME REPORT	MM3
0	02/05/21	100% CD	JY/MM
A	12/07/20	90% CD	BH

Licenser:



It is a violation of law for any persons, unless they are acting under the direction of a licensed professional engineer, to alter this document

Issued For:

**CCL00160**

**CRYSTAL SPRINGS**

VISTA POINT II  
SAN CARLOS, CA 94070

A.P.N.: RIGHT-OF-WAY

Sheet Title:

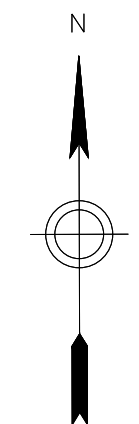
**MATERIAL SAFETY DATA SHEET & LEAD ACID BATTERY**


Sheet Number:

**MSDS**

NOTE:  
 1. RF SAFETY MEASURES COMPLETED PER EME REPORT COMPLETED ON 02/18/2021, BY "WATERFORD CONSULTANTS, LLC"  
 2. ANY OTHER RF REPORT IS FOR REFERENCE ONLY.

RECOMMENDATIONS:  
 AT&T MOBILITY ALPHA SECTOR:  
 CAUTION 2 SIGNS REQUIRED AT EACH END OF THE SECTOR AT THE BASE OF THE POLE MOUNTS.  
 MATERIALS:  
 (2) CAUTION 2 SIGNS  
 AT&T MOBILITY BETA SECTOR:  
 CAUTION 2C SIGNS REQUIRED AT EACH END OF THE SECTOR AT THE BASE OF THE POLE MOUNTS.  
 MATERIALS:  
 (2) CAUTION 2 SIGNS  
 AT&T MOBILITY GAMMA SECTOR:  
 CAUTION 2 SIGNS REQUIRED AT EACH END OF THE SECTOR AT THE BASE OF THE POLE MOUNTS.  
 MATERIALS:  
 (2) CAUTION 2 SIGNS




PREPARED FOR  
  
 5001 EXECUTIVE PKWY,  
 SAN RAMON CA 94583

Vendor:  
  
 2030 MAIN STREET, SUITE 200  
 IRVINE, CA 92614  
 P-050284

AT&T Site ID:  
**CCL00160**

1	03/01/21	EME REPORT	MM3
0	02/05/21	100% CD	JY/MM
A	12/07/20	90% CD	BH
REV	DATE	DESCRIPTION	INT.

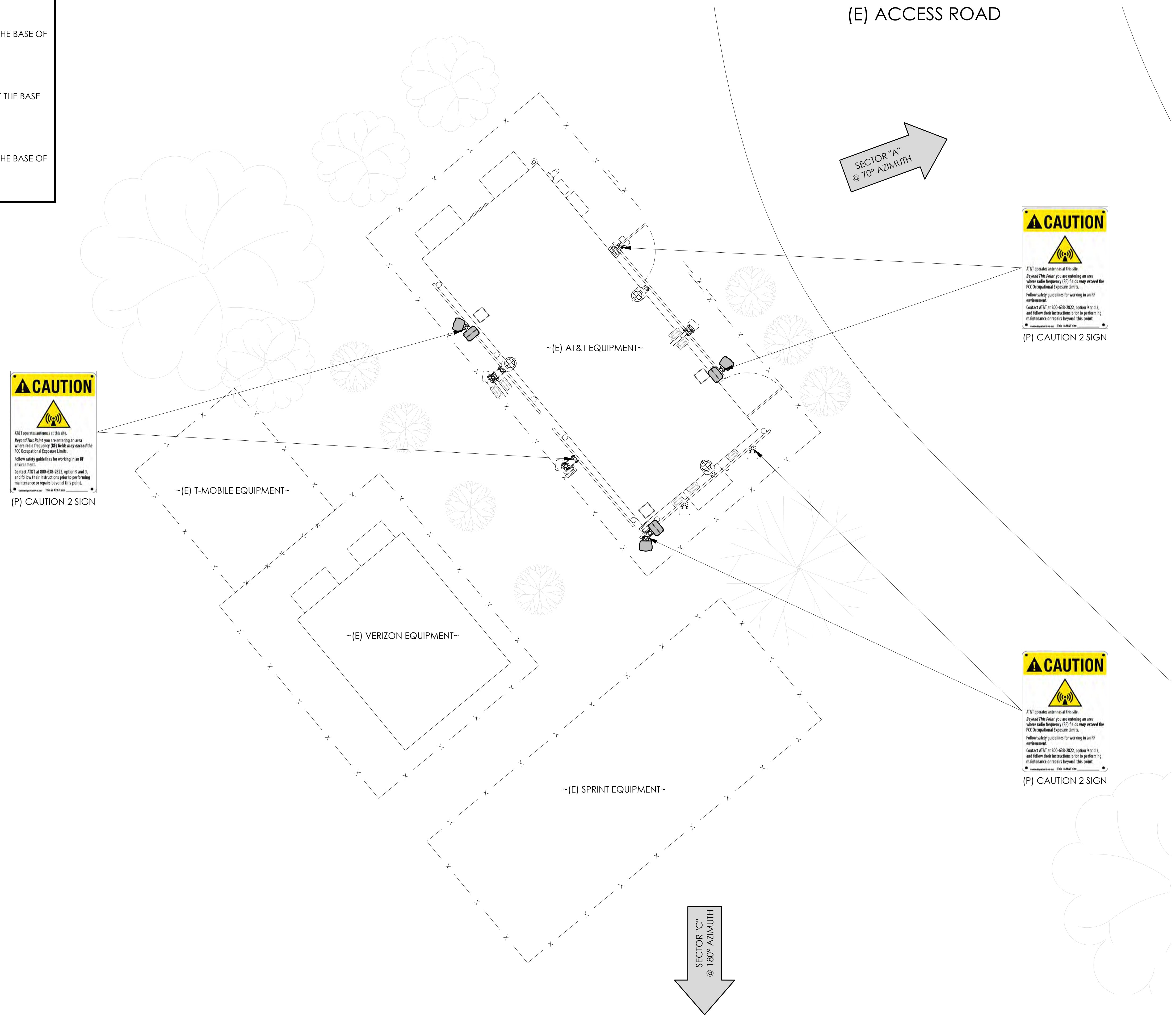
Licenser:  
  
 SIGNED: 2021/03/01  
 EXPIRES: 2021/03/31

It is a violation of law for any persons, unless they are acting under the direction of a licensed professional engineer, to alter this document

Issued For:  
**CCL00160**  
 CRYSTAL SPRINGS  
 VISTA POINT II  
 SAN CARLOS, CA 94070  
 A.P.N.: RIGHT-OF-WAY

Sheet Title:  
**EME SIGNAGE LOCATION PLAN**

Sheet Number:  
**EME-1**



**CAUTION**  
 AT&T operates antennas at this site. Beyond This Point you are entering an area where radio frequency (RF) fields may exceed the FCC Occupational Exposure Limits. Follow safety guidelines for working in an RF environment. Contact AT&T at 800-638-2822, option 9 and 1, and follow their instructions prior to performing maintenance or repairs beyond this point.  
 (P) CAUTION 2 SIGN

**CAUTION**  
 AT&T operates antennas at this site. Beyond This Point you are entering an area where radio frequency (RF) fields may exceed the FCC Occupational Exposure Limits. Follow safety guidelines for working in an RF environment. Contact AT&T at 800-638-2822, option 9 and 1, and follow their instructions prior to performing maintenance or repairs beyond this point.  
 (P) CAUTION 2 SIGN

**CAUTION**  
 AT&T operates antennas at this site. Beyond This Point you are entering an area where radio frequency (RF) fields may exceed the FCC Occupational Exposure Limits. Follow safety guidelines for working in an RF environment. Contact AT&T at 800-638-2822, option 9 and 1, and follow their instructions prior to performing maintenance or repairs beyond this point.  
 (P) CAUTION 2 SIGN

SECTOR "B"  
 @ 285° AZIMUTH

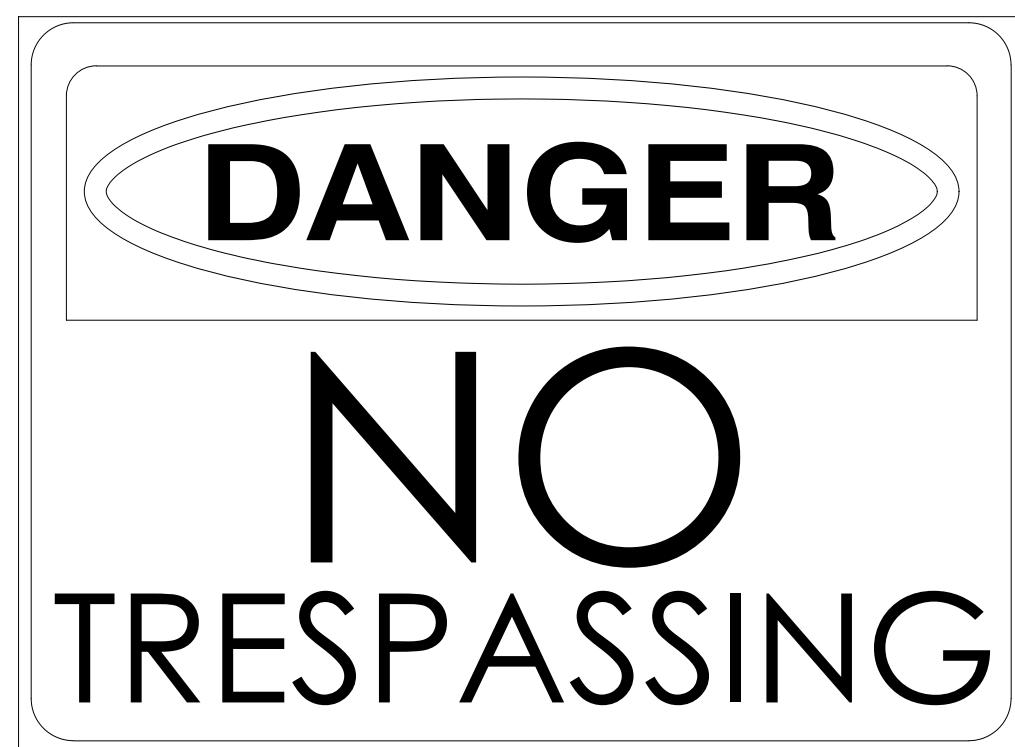
(E) ACCESS ROAD  
 SECTOR "A"  
 @ 70° AZIMUTH

SECTOR "C"  
 @ 180° AZIMUTH

This Site Operated by:  
**AT&T MOBILITY**  
 5001 EXECUTIVE PKWY,  
 SAN RAMON, CA 94583  
 IN CASE OF FIRE AND THE NEED FOR SHUTDOWN  
 TO DEACTIVATE ANTENNAS CALL THE  
 FOLLOWING NUMBER:  
 For 24 Hour Emergency Contact and Access Please Call:  
 (800)832-6662

Reference Site#: CCL00160  
 Site Address: VISTA POINT II SAN CARLOS, CA 94070

10 FENCED COMPOUND SIGNAGE  
 N.T.S.



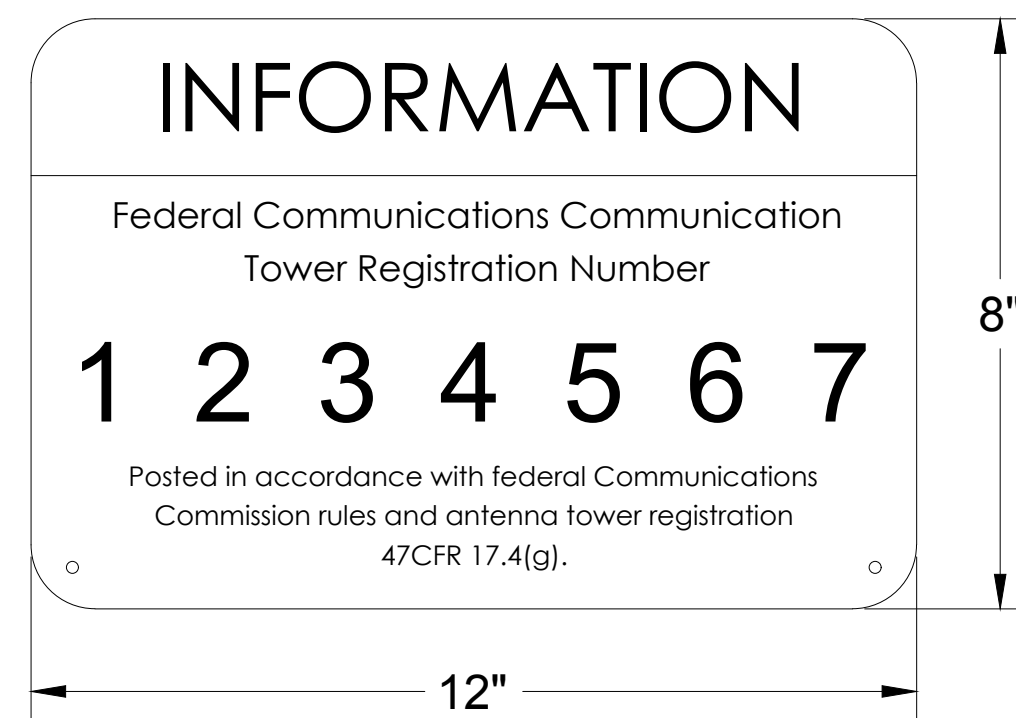
9 FENCED COMPOUND SIGNAGE  
 N.T.S.



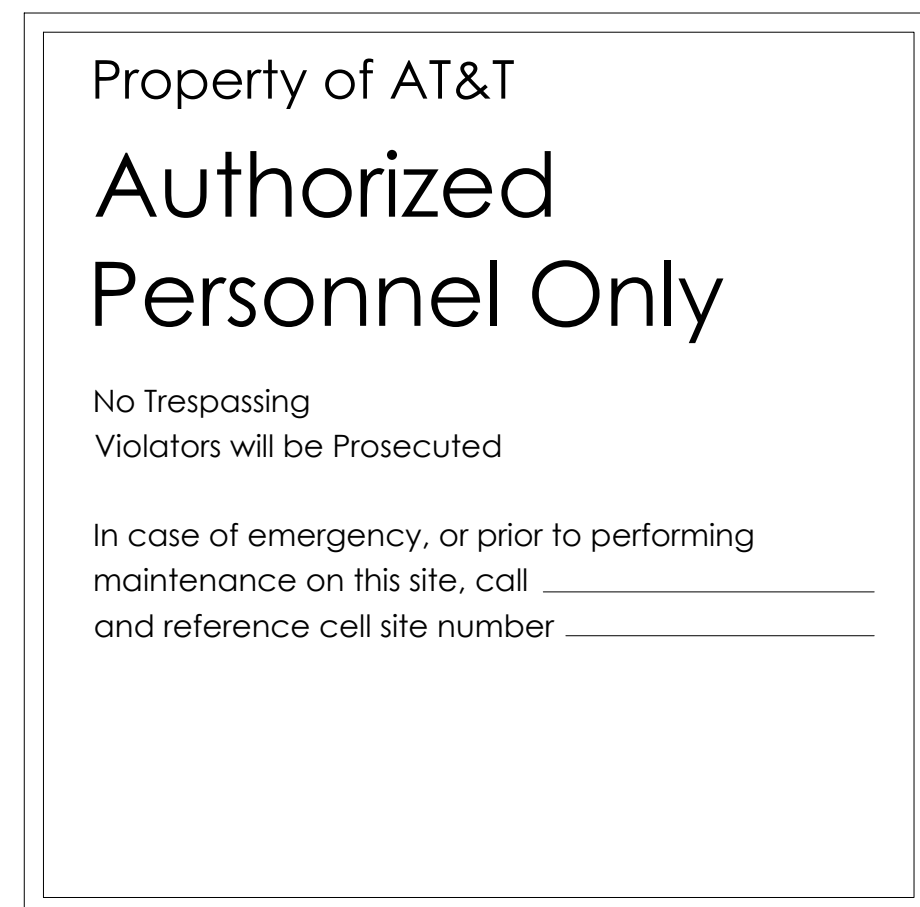
8 DOOR / EQUIPMENT SIGN  
 N.T.S.



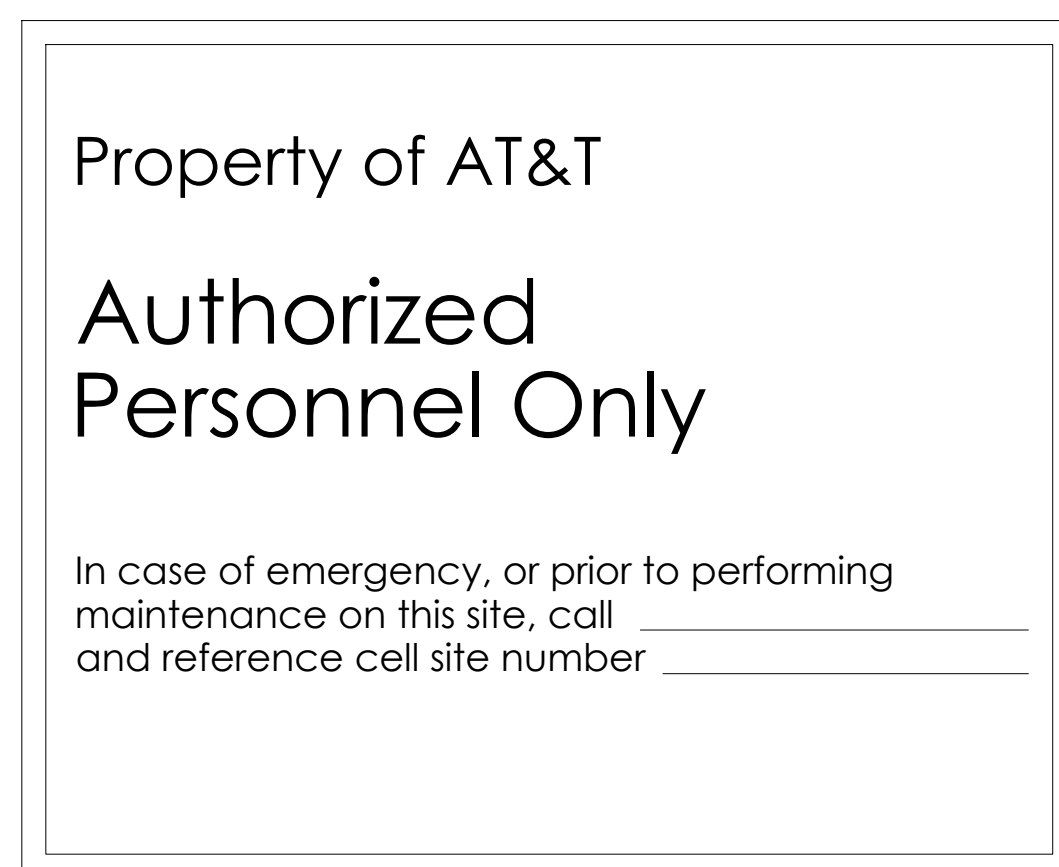
7 NFPA HAZARD SIGN - TYPICAL  
 N.T.S.



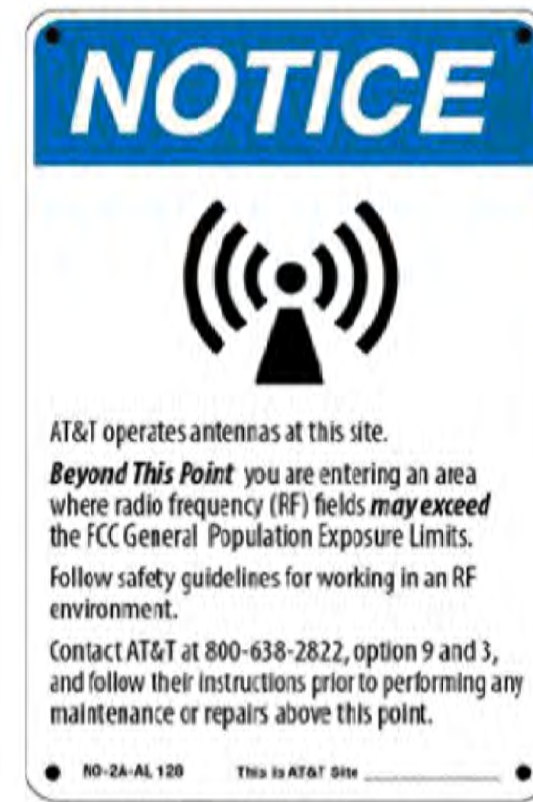
6 FCC ASR SIGNAGE  
 N.T.S.



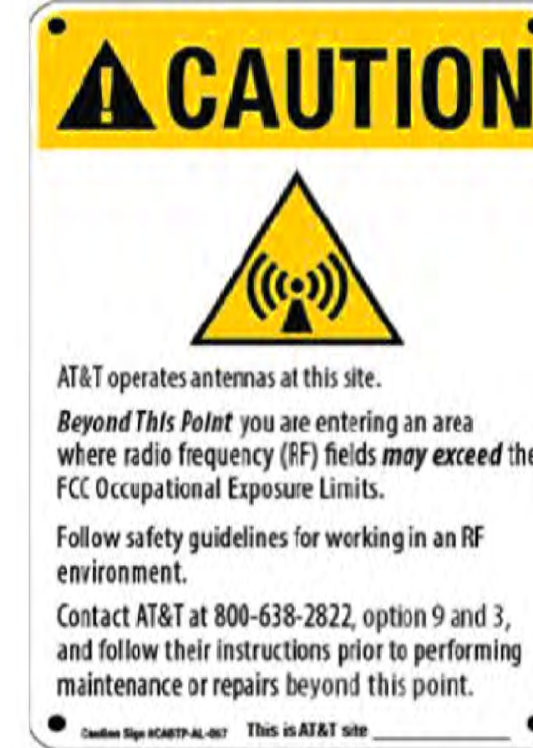
5 GATE SIGNAGE  
 N.T.S.



4 SHELTER / CABINET DOORS SIGNAGE  
 N.T.S.



Notice Sign 2  
 (8" x 12")



Caution Sign 2  
 (8" x 12")



Trilingual Notice Sign



Caution Sign 2A  
 (8" x 12")  
 Use only if instructed by RF Safety

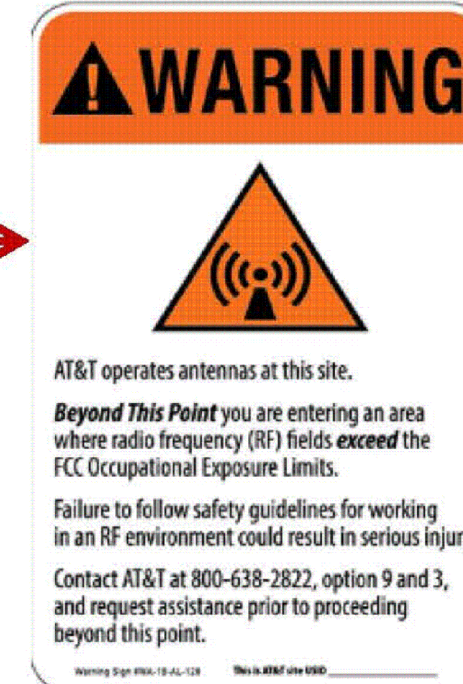


Caution Sign 2B Tower  
 (8" x 12")  
 Use For Towers only



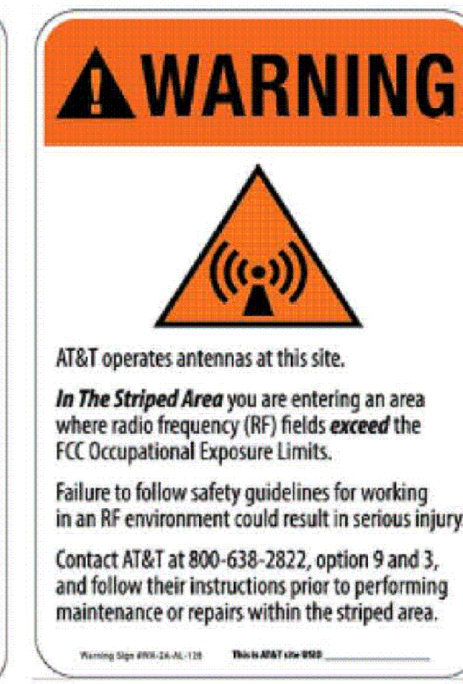
Caution Sign 2C Parapet  
 (5" x 7")

Warning Sign #WA-1B-AL-128



Shall be used when barriers are present or will be deployed around AT&T antennas – Warning 1B

Warning Sign #WA-2A-AL-128



Shall be used in lieu of barriers along with striping when barriers are not allowed – Warning 2A  
**REQUIRE HQ / MRFSE APPROVAL**

1. CONTRACTOR SHALL INSTALL ALL INFORMATION SIGNAGE IN ACCORDANCE w/ AT&T WIRELESS DOCUMENT #03-0074, RF EXPOSURE POLICY AND RF SAFETY COMPLIANCE PROGRAM, LATEST EDITION.

2. FABRICATION:  
 \*SIGN 1-1: ENTRANCE DOOR, SEE DETAIL 1A, THIS SHEET

SIGN 1 IS TO BE MADE ON THE 50 MIL ALUMINUM SHEETING (SIZE 8 INCHES BY 12 INCHES) w/ FOUR (4) 1/4 INCH MOUNTING HOLES, ONE EACH CORNER OF THE SIGN FOR MOUNTING w/ HARDWARE w/ TIE WRAPS. THE MAIN BACKGROUND COLOR IS TO BE WHITE FRONT & BACK w/ BLACK LETTERING.

THE INFORMATION BAND SHALL BE 1.2 INCH SOLID GREEN BAND w. 0.5 INCH HIGH BLACK LETTERING. THE BODY TEXT SHALL BE IN BLACK LETTERING w/0.2 INCH HIGH LETTERS. THE REF LINE SHALL BE IN 1/8 INCH LETTERS.

THE PLACEMENT OF TEXT SHALL BE DONE IN A MANNER THAT WILL PERMIT EASY READING FROM A DISTANCE OF APPROXIMATELY 6 FEET IN FRONT OF THE SIGN.

2 ALERTING & INFORMATION SIGNAGE  
 N.T.S.

SIGNAGE AND STRIPING INFORMATION

- THE FOLLOWING INFORMATION IS A GUIDELINE w/ RESPECT TO PREVAILING STANDARDS LIMITING HUMAN EXPOSURE TO RADIO FREQUENCY ENERGY AND SHOULD BE USED AS SUCH. IF THE SITE'S EMF REPORT OR ANY LOCAL, STATE OR FEDERAL GUIDELINES OR REGULATIONS SHOULD BE IN CONFLICT w/ ANY PART OF THESE NOTES OR PLANS, THE MORE RESTRICTIVE GUIDELINE OR REGULATION SHALL BE FOLLOWED AND OVERRIDE THE LESSER.
- IF THE PUBLIC LIMIT OF RF EXPOSURE ON THE SITE IS EXCEEDED AND THE AREA IS PUBLICLY ACCESSIBLE (e.g. ROOF ACCESS DOOR THAT CANNOT BE LOCKED, OR FIRE EGRESS) THEN BOTH BARRICADES AND STRIPING SHALL BE PLACED AROUND THE ANTENNAS. THE EXACT EXTENT OF THE BARRICADES AND STRIPING SHALL BE DETERMINED BY THE EMF REPORT. USE THE PLANS AS A GUIDELINE FOR PLACEMENT OF SUCH BARRICADES AND STRIPING.
- ALL TRANSMIT ANTENNAS REQUIRE A THREE LANGUAGE WARNING SIGN WRITTEN IN ENGLISH, SPANISH, AND CHINESE. THIS SIGN SHALL BE PROVIDED TO THE CONTRACTOR AND THE AT&T CONSTRUCTION PROJECT MANAGER AT THE TIME OF CONSTRUCTION. THE LARGER SIGN SHALL BE PLACED IN PLAIN SIGHT AT ALL ROOF ACCESS LOCATIONS AND ON ALL BARRICADES. THE SMALLER SIGN SHALL BE PLACED ON THE ANTENNA ENCLOSURES IN A MANNER THAT IS EASILY SEEN BY ANY PERSON ON THE ROOF. WARNING SIGNS SHALL COMPLY w/ ANSI C95.2 COLOR, SYMBOL, AND CONTENT CONVENTIONS. ALL SIGNS SHALL HAVE AT&T'S NAME AND THE COMPANY CONTACT INFORMATION (e.g. TELEPHONE NUMBER) TO ARRANGE FOR ACCESS TO THE RESTRICTED AREAS. THIS TELEPHONE NUMBER SHALL BE PROVIDED TO THE CONTRACTOR BY THE AT&T CONSTRUCTION PROJECT MANAGER AT THE TIME OF CONSTRUCTION.
- PHOTOS OF ALL STRIPING, BARRICADES & SIGNAGE SHALL BE PART OF THE CONTRACTORS CLOSE OUT PACKAGE & SHALL BE TURNED INTO THE AT&T CONSTRUCTION PACKAGE & SHALL BE TURNED INTO THE AT&T CONSTRUCTION PROJECT MANAGER AT THE END OF CONSTRUCTION.
- STRIPING SHALL BE DONE w/ FADE RESISTANT YELLOW SAFETY PAINT IN A CROSS-HATCH PATTERN AS DETAILED BY THE CONSTRUCTION DRAWINGS. ALL BARRICADES SHALL BE MADE OF AN RF FRIENDLY MATERIAL SO AS NOT TO BLOCK OR INTERFERE w/ THE OPERATION OF THE ANTENNAS. BARRICADES SHALL BE PAINTED w/ FADE RESTRAINT YELLOW SAFETY PAINT. THE CONTRACTOR SHALL PROVIDE ALL RF FRIENDLY BARRICADES NEEDED, & SHALL PROVIDE THE AT&T CONSTRUCTION PROJECT MANAGER w/ A DETAILED SHOP DRAWING OF EACH BARRICADE UPON CONSTRUCTION COMPLETION.

1 GENERAL NOTES  
 N.T.S.

PREPARED FOR

5001 EXECUTIVE PKWY,  
 SAN RAMON CA 94583

Vendor:

2030 MAIN STREET, SUITE 200  
 IRVINE, CA 92614

P-050284

AT&T Site ID:

**CCL00160**

1	03/01/21	EME REPORT	MM3
0	02/05/21	100% CD	JY/JM
A	12/07/20	90% CD	BH
REV	DATE	DESCRIPTION	INT.

Licensors:

SIGNED: 2021/03/01  
 EXPIRES: 2021/03/31

It is a violation of law for any persons, unless they are acting under the direction of a licensed professional engineer, to alter this document

Issued For:

**CCL00160**

CRYSTAL SPRINGS

VISTA POINT II  
 SAN CARLOS, CA 94070

A.P.N.: RIGHT-OF-WAY

Sheet Title:

**SITE SIGNAGE**

Sheet Number:

**SS-1**



**County of San Mateo - Planning and Building Department**

# **ATTACHMENT D**

# Existing

05.19.2021

existing AT&T antennas  
to be modified



**CCL00160 Crystal Springs**  
Vista Point II, San Carlos, CA 94070

# Proposed

proposed AT&T antenna  
modification



**VIEW 1:** Photo simulation as seen looking east from southbound I-280

# Existing

05.19.2021

existing AT&T antennas  
to be modified



**CCL00160 Crystal Springs**  
Vista Point II, San Carlos, CA 94070

# Proposed

proposed AT&T antenna  
modification



**VIEW 2:** Photo simulation as seen looking north from northbound I-280

# Existing

05.19.2021

existing AT&T antennas to be modified



CCL00160 Crystal Springs  
Vista Point II, San Carlos, CA 94070

# Proposed

proposed AT&T antenna modification



**VIEW 3:** Photo simulation as seen looking northwest from Vista Point II



# Shot Map





**County of San Mateo - Planning and Building Department**

# **ATTACHMENT E**



**WATERFORD**

---

## Radio Frequency Emissions Compliance Report For AT&T Mobility

<b>Site Name:</b> Crystal Springs	<b>Site Structure Type:</b> Equipment Shelter
<b>Address:</b> Vista Point II	<b>Latitude:</b> 37.4926481
San Carlos, CA	<b>Longitude:</b> -122.2976511
<b>Report Date:</b> February 18, 2021	<b>Project:</b> Modification

---

### Compliance Statement

Based on information provided by AT&T Mobility and predictive modeling, the Crystal Springs installation proposed by AT&T Mobility will be compliant with Radiofrequency Radiation Exposure Limits of 47 C.F.R. §§ 1.1307(b)(3) and 1.1310. RF alerting signage and restricting access to these areas to authorized personnel that have completed RF safety training is required for Occupational environment compliance. The proposed operation will not expose members of the General Public to hazardous levels of RF energy at ground level or in adjacent buildings.

### Certification

I, David H. Kiser, am the reviewer and approver of this report and am fully aware of and familiar with the Rules and Regulations of both the Federal Communications Commissions (FCC) and the Occupational Safety and Health Administration (OSHA) with regard to Human Exposure to Radio Frequency Radiation, specifically in accordance with FCC's OET Bulletin 65. I have reviewed this Radio Frequency Exposure Assessment report and believe it to be both true and accurate to the best of my knowledge.



David H. Kiser, P.E.  
Registered Professional Engineer (Electrical)  
State of California, 21542, Expires 6/30/2022  
Date: 2021-February-19

### General Summary

The compliance framework is derived from the Federal Communications Commission (FCC) Rules and Regulations for preventing human exposure in excess of the applicable Maximum Permissible Exposure ("MPE") limits. At any location at this site, the power density resulting from each transmitter may be expressed as a percentage of the frequency-specific limits and added to determine if 100% of the exposure limit has been exceeded. The FCC Rules define two tiers of permissible exposure differentiated by the situation in which the exposure takes place and/or the status of the individuals who are subject to exposure. General Population / Uncontrolled exposure limits apply to those situations in which persons may not be aware of the presence of electromagnetic energy, where exposure is not employment-related, or where persons cannot exercise control over their exposure. Occupational / Controlled exposure limits apply to situations in which persons are exposed as a consequence of their employment, have been made fully aware of the potential for exposure, and can exercise control over their exposure. Based on the criteria for these classifications, the FCC General Population limit is considered to be a level that is safe for continuous exposure time. The FCC General Population limit is 5 times more restrictive than the Occupational limits.

Table 1: FCC Limits

Frequency (MHz)	<i>Limits for General Population/ Uncontrolled Exposure</i>		<i>Limits for Occupational/ Controlled Exposure</i>	
	Power Density (mW/cm <sup>2</sup> )	Averaging Time (minutes)	Power Density (mW/cm <sup>2</sup> )	Averaging Time (minutes)
30-300	0.2	30	1	6
300-1500	f/1500	30	f/300	6
1500-100,000	1.0	30	5.0	6

f=Frequency (MHz)

In situations where the predicted MPE exceeds the General Population threshold in an accessible area as a result of emissions from multiple transmitters, FCC licensees that contribute greater than 5% of the aggregate MPE share responsibility for mitigation.

Based on the computational guidelines set forth in FCC OET Bulletin 65, Waterford Consultants, LLC has developed software to predict the overall Maximum Permissible Exposure possible at any location given the spatial orientation and operating parameters of multiple RF sources. The power density in the Far Field of an RF source is specified by OET-65 Equation 5 as follows:

$$S = \frac{EIRP}{4 \cdot \pi \cdot R^2} \text{ (mW/cm}^2\text{)}$$

where EIRP is the Effective Radiated Power relative to an isotropic antenna and R is the distance between the antenna and point of study. Additionally, consideration is given to the manufacturers' horizontal and vertical antenna patterns as well as radiation reflection. At any location, the predicted power density in the Far Field is the spatial average of points within a 0 to 6-foot vertical profile that a person would occupy. Near field power density is based on OET-65 Equation 20 stated as

$$S = \left( \frac{180}{\theta_{BW}} \right) \cdot \frac{100 \cdot P_{in}}{\pi \cdot R \cdot h} \text{ (mW/cm}^2\text{)}$$

where  $P_{in}$  is the power input to the antenna,  $\theta_{BW}$  is the horizontal pattern beamwidth and h is the aperture length.

These theoretical results represent maximum-case predictions as all RF emitters are assumed to be operating at 100% duty cycle.

For any area in excess of 100% General Population MPE, access controls with appropriate RF alerting signage must be put in place and maintained to restrict access to authorized personnel. Signage must be posted to be visible upon approach from any direction to provide notification of potential conditions within these areas. Subject to other site security requirements, occupational personnel should be trained in RF safety and equipped with personal protective equipment (e.g. RF personal monitor) designed for safe work in the vicinity of RF emitters. Controls such as physical barriers to entry imposed by locked doors, hatches and ladders or other access control mechanisms may be supplemented by alarms that alert the individual and notify site management of a breach in access control. Waterford Consultants, LLC recommends that any work activity in these designated areas or in front of any transmitting antennas be coordinated with all wireless tenants.

## Analysis

AT&T Mobility proposes the following installation at this location:

- REMOVE (3) PANEL ANTENNAS, TYP. 1 PER SECTOR
- REMOVE (3) RRUS 11 B12 NEAR ANTENNAS, TYP. 1 PER SECTOR
- INSTALL (3) PANEL ANTENNAS, TYP. 1 PER SECTOR
- INSTALL (3) RRUS 4449 B5/B12 NEAR ANTENNAS, TYP. 1 PER SECTOR

The antennas will be mounted on a 10-foot Equipment Shelter with centerlines 13.7, 14 & 12 feet above ground level. Proposed antenna operating parameters are listed in Appendix A. Other appurtenances such as GPS antennas, RRUs and hybrid cable below the antennas are not sources of RF emissions. Panel antennas have been installed at this site by other wireless operators. Operating parameters for these antennas considered in this analysis are also listed in Appendix A.

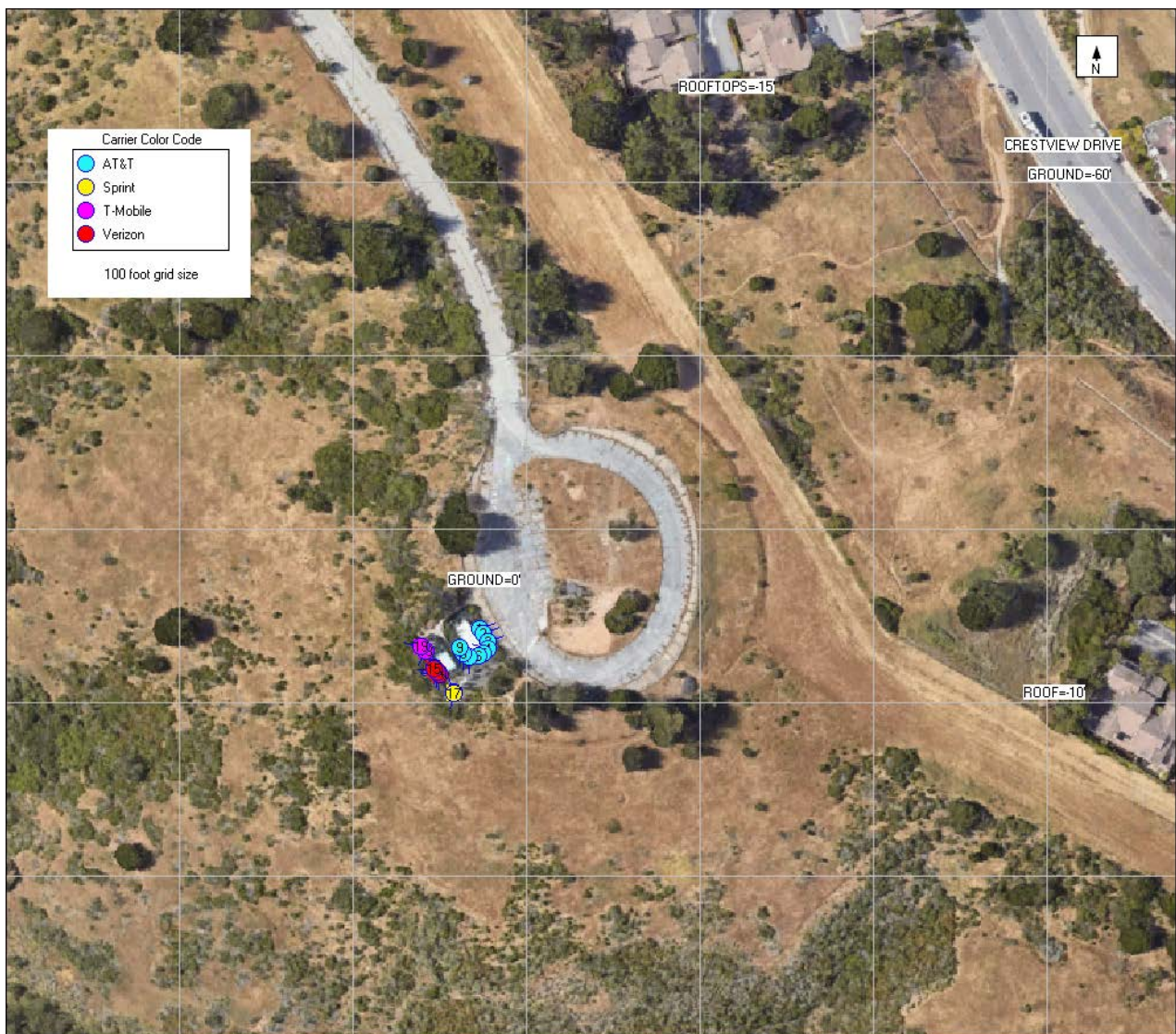


Figure 1: Antenna Locations

Power density decreases significantly with distance from any antenna. The panel-type antennas to be employed at this site are highly directional by design and the orientation in azimuth and mounting elevation, as documented, serves to reduce the potential to exceed MPE limits at any location other than directly in front of the antennas. For accessible areas at ground level, the maximum predicted power density level resulting from all AT&T Mobility operations is 86.6124% of the FCC General Population limits. Based on the operating parameters in Appendix A, the cumulative power density level at this location from all antennas is 88.2489% of the FCC General Population limits. Incident at adjacent buildings depicted in Figure 1, the maximum predicted power density level resulting from all AT&T Mobility operations is 3.9859% of the FCC General Population limits. Based on the operating parameters in Appendix A, the cumulative power density level at this location from all antennas is 4.0537% of the FCC General Population limits. The proposed operation will not expose members of the General Public to hazardous levels of RF energy at ground level or in adjacent buildings.

For areas directly in front of the antennas mounted to the side of the equipment shelter that are predicted to exceed the General Population limits, RF alerting signs with contact information (Caution 2) should be posted to be visible upon approach to provide notification of potential conditions at these areas. This recommendation is depicted in Figures 2.1, 2.2, and 2.3. Any work activity in front of transmitting antennas should be coordinated with AT&T Mobility.

### Compliance Requirement Diagram (Alpha Sector)

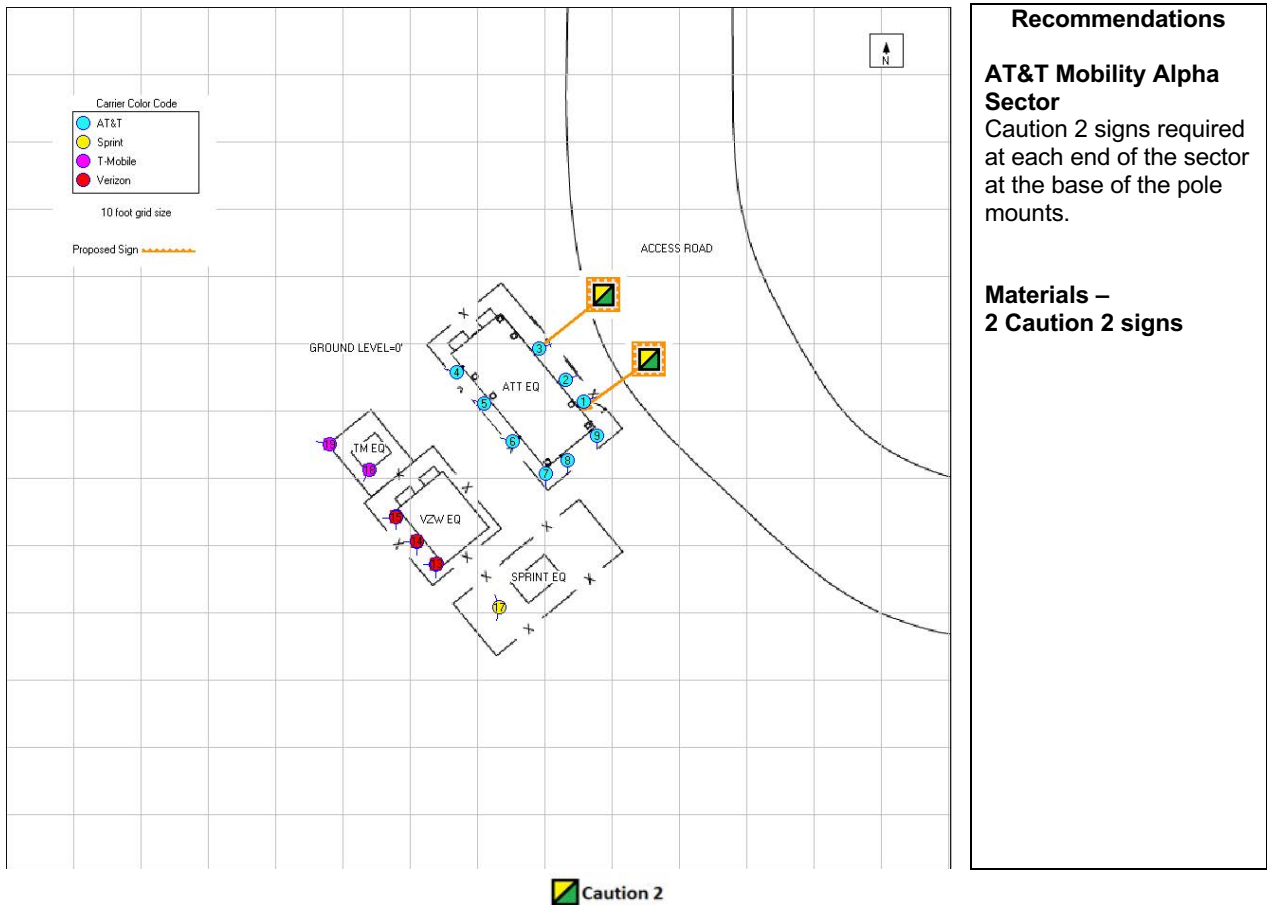


Figure 2.1: Mitigation Recommendations

### Compliance Requirement Diagram (Beta Sector)

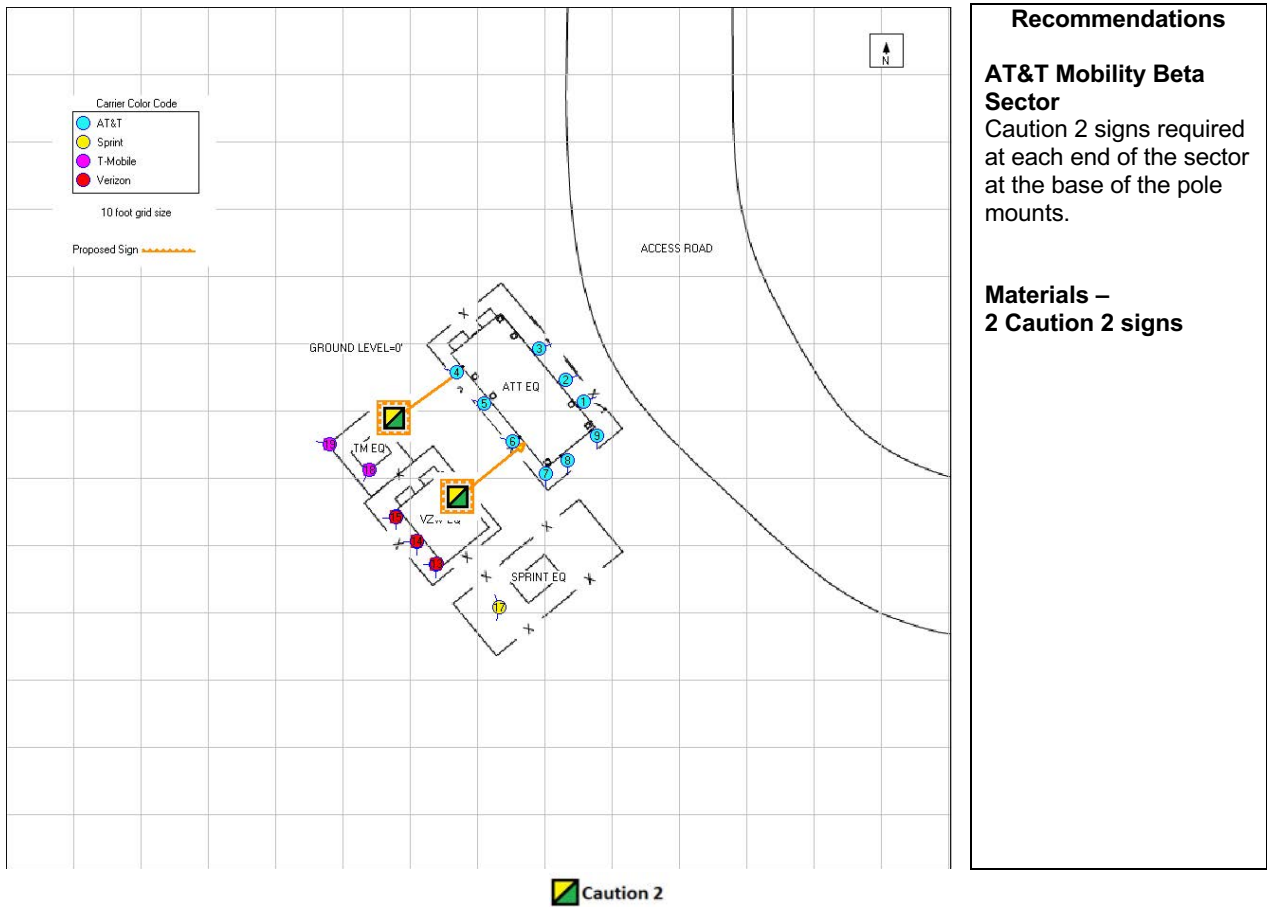


Figure 2.2: Mitigation Recommendations



### Compliance Requirement Diagram (Gamma Sector)

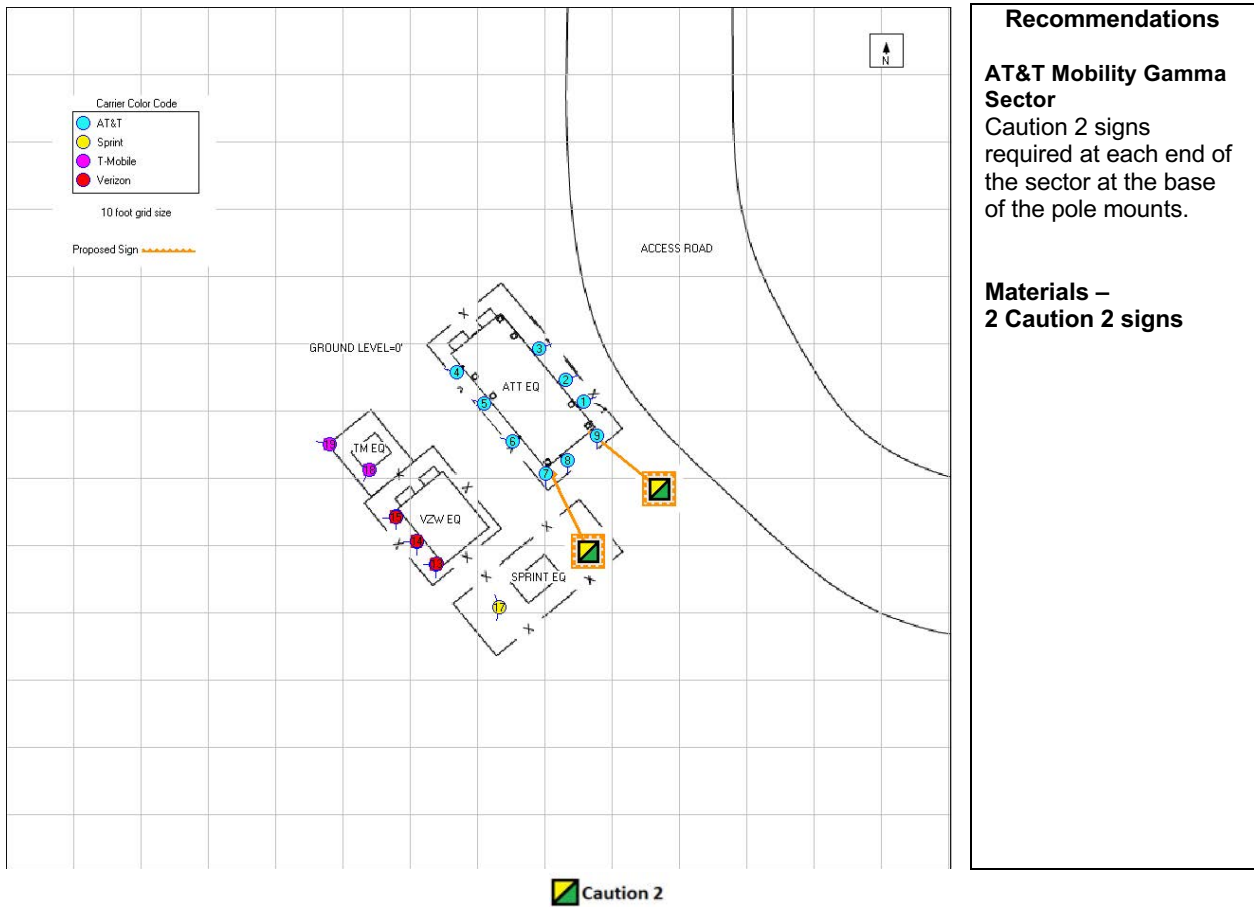


Figure 2.3: Mitigation Recommendations

**Appendix A: Operating Parameters Considered in this Analysis**

Antenna #:	Carrier:	Manufacturer	Pattern:	Band (MHz):	Mech Az (deg):	Mech DT (deg):	H BW (deg):	Length (ft):	TPO (W):	Channels:	Loss (dB):	Gain (dBd):	ERP (W):	EIRP (W):	Rad Center (ft):
1	AT&T	QUINTEL	QD6658-2 V1 02DT	700	70	0	78	6	40	4	0	11.25	2134	3500	13.7
1	AT&T	QUINTEL	QD6658-2 V1 02DT	850	70	0	68	6	40	4	0	12.25	2686	4407	13.7
1	AT&T	QUINTEL	QD6658-2 V1 00DT	1900	70	0	60	6	40	4	0	15.35	5484	8997	13.7
2	AT&T	COMMSCOPE	NNHH-65B-R4 02DT	700	70	0	66	6	40	4	0	11.5	2260	3708	13.7
2	AT&T	COMMSCOPE	NNHH-65B-R4 02DT	2300	70	0	59	6	25	4	0	15.08	3221	5284	13.7
3	AT&T	COMMSCOPE	JAHH-65B-R3B-V3 02DT	850	70	0	65	6	60	2	0	13.05	2422	3974	13.7
3	AT&T	COMMSCOPE	JAHH-65B-R3B-V3 00DT	2100	70	0	60	6	40	4	0	15.93	6268	10283	13.7
4	AT&T	QUINTEL	QD6658-2 V1 02DT	700	285	0	78	6	40	4	0	11.25	2134	3500	14
4	AT&T	QUINTEL	QD6658-2 V1 02DT	850	285	0	68	6	40	4	0	12.25	2686	4407	14
4	AT&T	QUINTEL	QD6658-2 V1 00DT	1900	285	0	60	6	40	4	0	15.35	5484	8997	14
5	AT&T	COMMSCOPE	NNHH-65B-R4 02DT	700	285	0	66	6	40	4	0	11.5	2260	3708	14
5	AT&T	COMMSCOPE	NNHH-65B-R4 02DT	2300	285	0	59	6	25	4	0	15.08	3221	5284	14
6	AT&T	COMMSCOPE	JAHH-65B-R3B-V3 02DT	850	285	0	65	6	60	2	0	13.05	2422	3974	14
6	AT&T	COMMSCOPE	JAHH-65B-R3B-V3 00DT	2100	285	0	60	6	40	4	0	15.93	6268	10283	14
7	AT&T	QUINTEL	QD6658-2 V1 02DT	700	180	0	78	6	40	4	0	11.25	2134	3500	12
7	AT&T	QUINTEL	QD6658-2 V1 02DT	850	180	0	68	6	40	4	0	12.25	2686	4407	12
7	AT&T	QUINTEL	QD6658-2 V1 00DT	1900	180	0	60	6	40	4	0	15.35	5484	8997	12
8	AT&T	COMMSCOPE	NNHH-65B-R4 02DT	700	180	0	66	6	40	4	0	11.5	2260	3708	12
8	AT&T	COMMSCOPE	NNHH-65B-R4 02DT	2300	180	0	59	6	25	4	0	15.08	3221	5284	12
9	AT&T	COMMSCOPE	JAHH-65B-R3B-V3 02DT	850	180	0	65	6	60	2	0	13.05	2422	3974	12
9	AT&T	COMMSCOPE	JAHH-65B-R3B-V3 00DT	2100	180	0	60	6	40	4	0	15.93	6268	10283	12
10	Verizon	COMMSCOPE	NHH-65B-R2B 02DT	700	180	0	65	6	80	2	0	12.3	2717	4458	12
11	Verizon	COMMSCOPE	NHH-65B-R2B 02DT	850	180	0	60	6	20	8	0	12.6	2938	4821	12
11	Verizon	COMMSCOPE	NHH-65B-R2B 00DT	1900	180	0	69	6	40	4	0	15.7	5875	9638	12
12	Verizon	COMMSCOPE	NHH-65B-R2B 00DT	2100	180	0	64	6	40	4	0	16.2	6701	10993	12
13	Verizon	COMMSCOPE	NHH-65B-R2B 02DT	700	265	0	65	6	80	2	0	12.3	2711	4448	12

Antenna #:	Carrier:	Manufacturer	Pattern:	Band (MHz):	Mech Az (deg):	Mech DT (deg):	H BW (deg):	Length (ft):	TPO (W):	Channels:	Loss (dB):	Gain (dBd):	ERP (W):	EIRP (W):	Rad Center (ft):
14	Verizon	COMMSCOPE	NHH-65B-R2B 02DT	850	265	0	60	6	20	8	0	12.6	2938	4821	12
14	Verizon	COMMSCOPE	NHH-65B-R2B 00DT	1900	265	0	69	6	40	4	0	15.7	5875	9638	12
15	Verizon	COMMSCOPE	NHH-65B-R2B 00DT	2100	265	0	64	6	40	4	0	16.2	6701	10993	12
16	Sprint	RFS	APXV9ERRR18-C-02DT	850	190	0	80	6	25	4	0	11.9	1531	2512	12.1
16	Sprint	RFS	APXV9ERRR18-C-00DT	1900	190	0	80	6	45	4	0	14.6	5132	8419	12.1
17	Sprint	RFS	APXV9ERRR18-C-02DT	850	340	0	80	6	25	4	0	11.9	1531	2512	12.1
17	Sprint	RFS	APXV9ERRR18-C-00DT	1900	340	0	80	6	45	4	0	14.6	5132	8419	12.1
18	T-Mobile	AMPHENOL	HEX336CW0000X-T100	700	210	0	36	6.1	30	2	0	13.7	1407	2308	12.1
18	T-Mobile	AMPHENOL	HEX336CW0000X-T100	1900	210	0	33	6.1	40	2	0	16.4	3492	5729	12.1
18	T-Mobile	AMPHENOL	HEX336CW0000X-T100	2100	210	0	34	6.1	40	2	0	16.7	3742	6139	12.1
19	T-Mobile	AMPHENOL	HEX336CW0000X-T100	700	280	0	36	6.1	30	2	0	13.7	1407	2308	12.1
19	T-Mobile	AMPHENOL	HEX336CW0000X-T100	1900	280	0	33	6.1	40	2	0	16.4	3492	5729	12.1
19	T-Mobile	AMPHENOL	HEX336CW0000X-T100	2100	280	0	34	6.1	40	2	0	16.7	3742	6139	12.1

Colocated antenna parameters based on industry standards